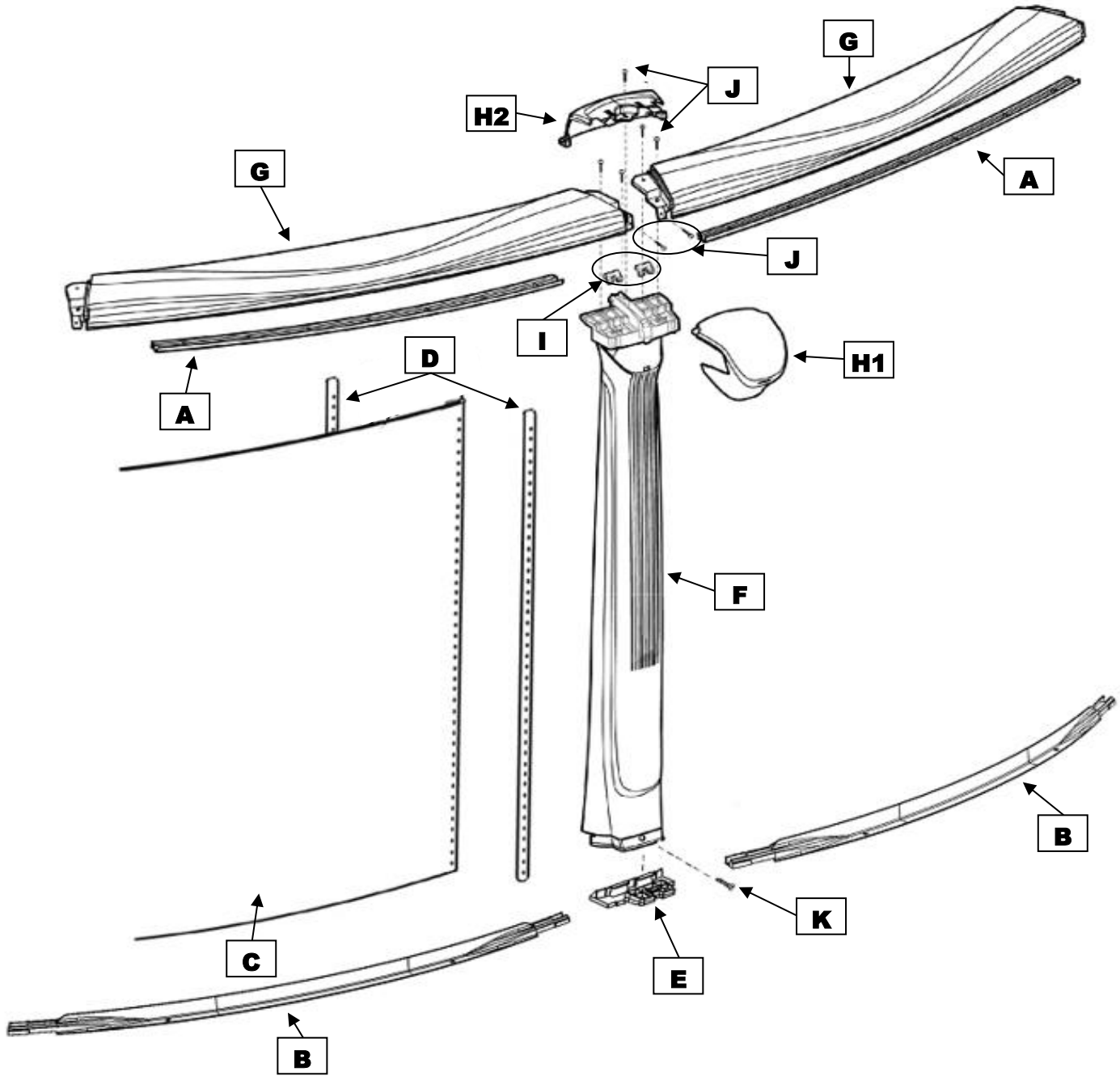


**Blues RRR**  
**PBLU-52RRRRRRM10**  
**Round**



**Product Description:**

**Blues Round**

Revised Sept 2017

**Product Code:**

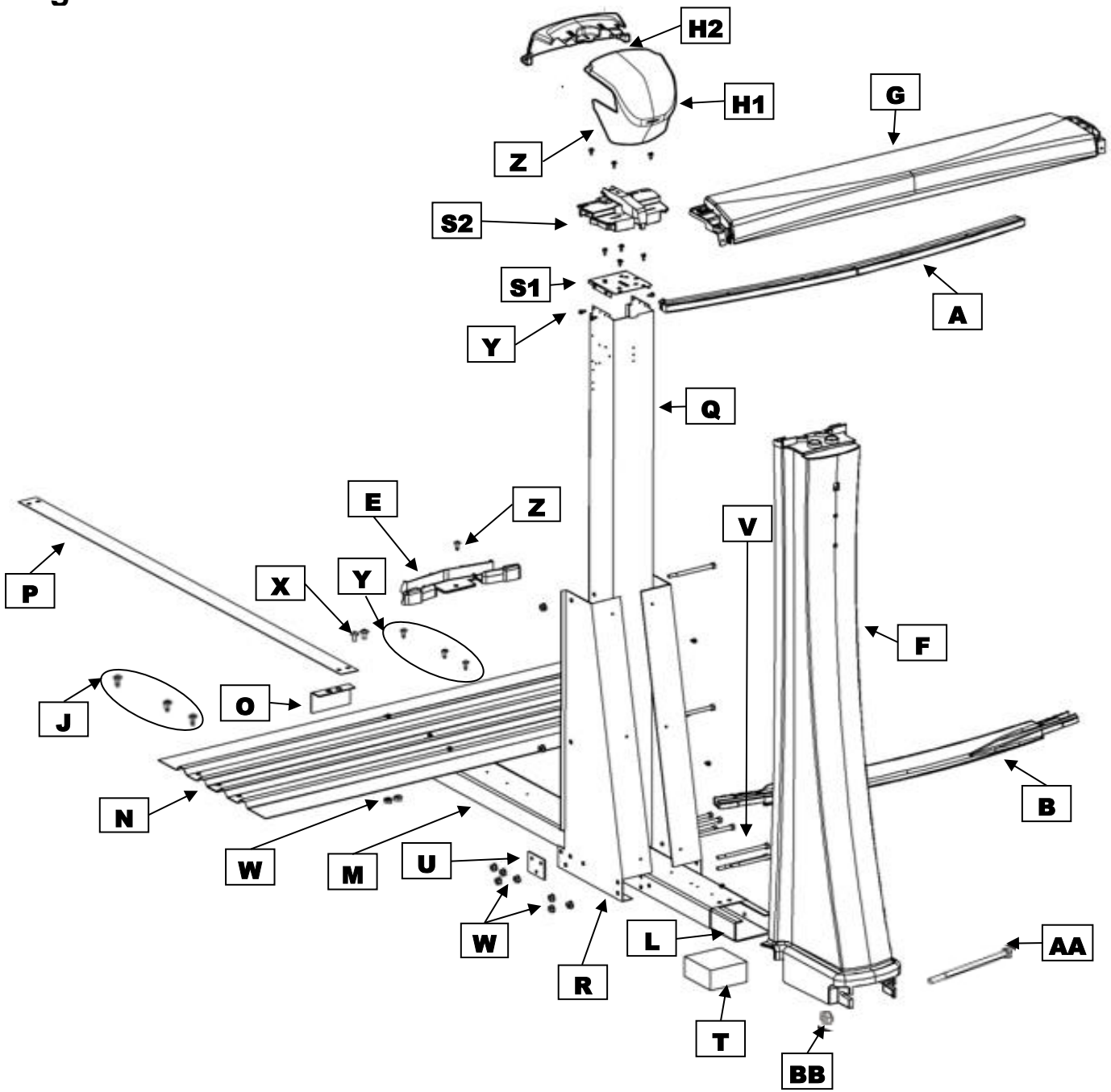
**PBLU-52RRRRRRM10**

				Quantity required for installation (by pool size)								
Index #	Description	Part #	Length	12	15	18	21	24	27	30	33	P
A	Stabilizer	1071507160000		8	10							
A	Stabilizer	1072407160000				12	14	16				
A	Stabilizer	1073007160000							18	20	22	
B	Bottom Rail	1081507000000		8	10							
B	Bottom Rail	1082407000000				12	14	16				
B	Bottom Rail	1083007000000							18	20	22	
C	Steel wall (hole-to-hole)			1	1	1	1	1	1	1	1	
D	Steel bar	11823		2	2	2	2	2	2	2	2	
E	Bottom plate	11207100000		8	10	12	14	16	18	20	22	
F	Upright	1020009Q52		8	10	12	14	16	18	20	22	
G	Top ledge (regular)	10109360000	56"		10	12	14	16	18	20	22	
G	Top ledge (12')	10109360010	56"	8								
H1	Ledge cover outer	1030009Q00		8	10	12	14	16	18	20	22	
H2	Ledge cover inner	1030009Q10		8	10	12	14	16	18	20	22	
I	Upright clip	6ADP10900A00		16	20	24	28	32	36	40	44	
J	Stainless screw 12 x ¾"	V12X34		59	73	87	101	115	129	143	157	
K	Stainless screw 12 x 1 ½"	2PPS112		8	10	12	14	16	18	20	22	
*	Hardware bag	1051200380		1								
*	Hardware bag	1051500380			1							
*	Hardware bag	1051800380				1						
*	Hardware bag	1052100380					1					
*	Hardware bag	1052400380						1				
*	Hardware bag	1052700380							1			
*	Hardware bag	1053000380								1		
*	Hardware bag	1053300380									1	
**	Hardware bag for wall	1050000054		1	1	1	1	1	1	1	1	
	ThruSS phill 18-8 bolt 18-8 1/4-0x3/4	99-0023		31	31	31	31	31	31	31	31	
	Flange nuts S/S 1/4-20 serrated	2FGS422		31	31	31	31	31	31	31	31	
	Installation DVD	SACWBI36875		1	1	1	1	1	1	1	1	

\* In the hardware bag you will find parts: #2PPS112 - #V12x34

\*\* In the hardware bag for wall you will find parts: #99-0023 - #2FGS422

Blues RRR  
PBLU-YM52RRRRRRM10  
Yardmore  
Straight Section



**Product Description:****Blues Oval**

Revised Sept 2017

**Product Code:****PBLU-YM52RRRRRRM10**

				Quantity required for installation (by pool size)					
Index #	Description	Part #	Length	1216	1220	1224	1526	1530	1833
A	Stabilizer (Round section)	1071507160000		4	6	6	8	8	10
A	Stabilizer (Straight section)	10707000042	42"	2	2	4	4	6	6
A	Stabilizer-transition (End of straight section)	1071507160010		4	4	4	4	4	4
B	Bottom rail (Round section)	1081507000000		4	6	6	8	8	10
B	Bottom rail (Straight section)	10807000042	42"	2	2	4	4	6	6
B	Bottom rail-transition (End of straight section right)	1081507000020		2	2	2	2	2	2
B	Bottom rail-transition (End of straight section left)	1081507000030		2	2	2	2	2	2
C	Steel wall			1	1	1	1	1	1
D	Steel bar	11823		2	2	2	2	2	2
E	Bottom plate	11207100000		6	8	8	10	10	12
E	Bottom plate (straight section)	10409000000		4	4	6	6	8	8
F	Upright	1020009Q52	52"	6	8	8	10	10	12
F	Upright cover (straight section)	10209000002	52"	4	4	6	6	8	8
G	Top ledge (regular)	10109360000	56"		4	4	12	12	14
G	Top ledge (12')	10109360010	56"	8	6	6			
G	Top ledge (straight side section)	10109360042	42"	2	2	4	4	6	6
H1	Ledge cover (outer)	1030009Q00		6	8	8	10	10	12
H1	Ledge cover (straight section)(outer)	1030009Q01		4	4	6	6	8	8
H2	Ledge cover (round section) (inner)	1030009Q10		10	12	14	16	18	20
I	Upright clip	6ADP10900A00		12	16	16	20	20	24
J	Stainless steel screw 12 x ¼"	V12X34		86	100	120	134	154	168
K	Stainless steel screw 12 x 1-1/2"	2PPS112		6	8	8	10	10	12
L	Under channel	15933		4	4	6	6	8	8
M	Steel strap end channel	16539		4	4	6	6	8	8
N	Steel pressure plate	16549		4	4	6	6	8	8
O	Oval channel end cap	22726		4	4	6	6	8	8
P	Strap 12'	16724		4	4	6			
P	Strap 15'	16725					9	12	
P	Strap 18'	16726							12
Q	Straight side steel upright	18573	52"	4	4	6	6	8	8
R	Right gusset	16375		4	4	6	6	8	8
R	Left gusset	16374		4	4	6	6	8	8
S1	Metal top plate	10136R		4	4	6	6	8	8
S2	Resin top plate	1040033A01		4	4	6	6	8	8
T	Foam block	29917		4	4	6	6	8	8
U	Washer 3 holes	16663		8	8	12	12	16	16
V	Bolt 5" x 5/16 - 18	99-0073		40	40	60	60	80	80
W	Nut 5/16 - 18	99-0027		56	56	78	84	116	112
X	Screw ½" x 5/16 - 18	99-0026		16	16	18	24	36	32
Y	Screw ½" #10	99-0068		50	50	70	70	90	90

**Product Description:****Blues Oval**

Revised Sept 2017

**Product Code:****PBLU-YM52RRRRRRM10**

				Quantity required for installation (by pool size)						
Index #	Description	Part #	Length	1216	1220	1224	1526	1530	1833	P
Z	Screw 1" #10	99-0070		30	30	40	40	56	50	
AA	Bolt 5 1/2" x 1/4 - 20	2PCB520		4	4	6	6	8	8	
BB	Nut 1/4 - 20	2FGS422		4	4	6	6	8	8	
*	Hardware bag	1051216380		1						
*	Hardware bag	1051220380			1					
*	Hardware bag	1051224380				1				
*	Hardware bag	1051526380					1			
*	Hardware bag	1051530380						1		
*	Hardware bag	1051833380							1	
**	Hardware bag for wall	1050000054		1	1	1	1	1	1	
***	Hardware bag	16720		1	1	1	1	2	2	
***	Hardware bag	16722				1	1			
****	Hardware bag	10522111		1	1					
****	Hardware bag	10522112				1				
****	Hardware bag	10522116					1			
****	Hardware bag	22113						1		
****	Hardware bag	10522117							1	
	ThruSS phill18-8 bolt 18-8 1/4-0x3/4	99-0023		31	31	31	31	31	31	
	Nut 1/4 - 20	2FGS422		31	31	31	31	31	31	
	Installation DVD	SACWBI36875		1	1	1	1	1	1	

\* In the hardware bag you will find parts: #2PPS112 - #V12x34

\*\* In the hardware bag for wall you will find parts: #99-0023 - #2FGS422

\*\*\* In the hardware bag you will find parts: #99-0073 - #99-0027 - #16663

\*\*\*\* In the hardware bag you will find parts: #99-0073 - #99-0027 - #2PCB520 - #99-0068 - #99-0026 - #99-0070 - #V12x34 - #2FGS422

**Product Description:****Blues Oval**

Revised Sept 2017

**Product Code:****PBLU-YM52RRRRRRM10**

				Quantity required for installation (by pool size)					
Index #	Description	Part #	Length	1840	1844	2143			
A	Stabilizer (Round section)	1071507160000		10	10				
A	Stabilizer (Round section)	1072407160000				10			
A	Stabilizer (Straight section)	10707000042		10	12	12			
A	Stabilizer-transition (End of straight section)	1071507160010		4	4				
A	Stabilizer-transition (End of straight section)	1072407160010				4			
B	Bottom rail (Section round)	1081507000000		10	10				
B	Bottom rail (Section round)	1082407000000				10			
B	Bottom rail (Straight section)	10807000042		10	12	12			
B	Bottom rail-transition (End of straight section right)	1081507000020		2	2				
B	Bottom rail-transition (End of straight section right)	1082407000020				2			
B	Bottom rail-transition (End of straight section left)	1081507000030		2	2				
B	Bottom rail-transition (End of straight section left)	1082407000030				2			
C	Steel wall			1	1	1			
D	Steel bar	11823		2	2	2			
E	Bottom plate	11207100000		12	12	12			
E	Bottom plate(straight section)	10409000000		12	14	14			
F	Upright	1020009Q52	52"	12	12	12			
F	Upright cover (straight section)	10209000002	52"	12	14	14			
G	Top ledge (regular)	10109360000	56"	14	14	14			
G	Top ledge (straight side section)	10109360042	42"	10	12	12			
H1	Ledge cover (round section) (outer)	1030009Q00		12	12	12			
H1	Ledge cover (straight section) (outer)	1030009Q01		12	14	14			
H2	Ledge cover (inner)	1030009Q10		24	26	26			
I	Upright clip	6ADP10900A00		24	24	24			
J	Stainless steel screw 12 x ¾"	V12x34		208	265	218			
K	Stainless steel screw 12 x 1-1/2"	2PPS112		12	12	12			
L	Under channel	15933		12	14	14			
M	Steel strap end channel	16539		12	14	14			
N	Steel pressure plate	16549		12	14	14			
O	Oval channel end cap	22726		12	20	14			
P	Strap 18'	16726		18	21				
P	Strap	22126				28			
Q	Straight side steel upright	18573	52"	12	14	14			
R	Right gusset	16375		12	14	14			
R	Left gusset	16374		12	14	14			
S1	Metal top plate	10136R		12	14	14			
S2	Resin top plate	1040033A01		12	14	14			
T	Foam block	29917		12	14	14			
U	Washer 3 holes	16663		24	28	28			
V	Bolt 5" x 5/16 - 18	99-0073		120	140	140			

**Product Description:****Blues Oval**

Revised Sept 2017

**Product Code:****PBLU-YM52RRRRRRM10**

				Quantity required for installation (by pool size)					
Index #	Description	Part #	Length	1840	1844	2143			
W	Nut 5/16 – 18	99-0027		168	210	210			
X	Screw ½" x 5/16 – 18	99-0026		48	70	70			
Y	Screw ½" #10	99-0068		130	150	150			
Z	Screw 1" #10	99-0070		70	80	80			
AA	Bolt 5 ½" x ¼ - 20	2PCB520		12	14	14			
BB	Nut ¼ - 20	2FGS422		12	14	14			
*	Hardware bag	1051220380			1				
*	Hardware bag	1051840380		1					
*	Hardware bag	1051844380			1				
*	Hardware bag	1052143380				1			
**	Hardware bag for wall	1050000054			1	1			
***	Hardware bag	16720		3	3	3			
***	Hardware bag	16722			1	1			
****	Hardware bag	10522118		1					
****	Hardware bag	10522121			1	1			
	Thru phill18-8 bolt 18-8 1/4-0x3/4	99-0023			31	31			
	Nut ¼ - 20	2FGS422			31	31			
	Installation DVD	SACWBI36875		1	1	1			

\* In the hardware bag you will find parts: #2PPS112 - #V12x34

\*\* In the hardware bag for wall you will find parts: #99-0023 - #2FGS422

\*\*\* In the hardware bag you will find parts: #99-0073 - #99-0027 - #16663

\*\*\*\* In the hardware bag you will find parts: #99-0073 - #99-0027 - #2PCB520 - #99-0068 - #99-0026 - #99-0070 - #V12x34 - #2FGS422