

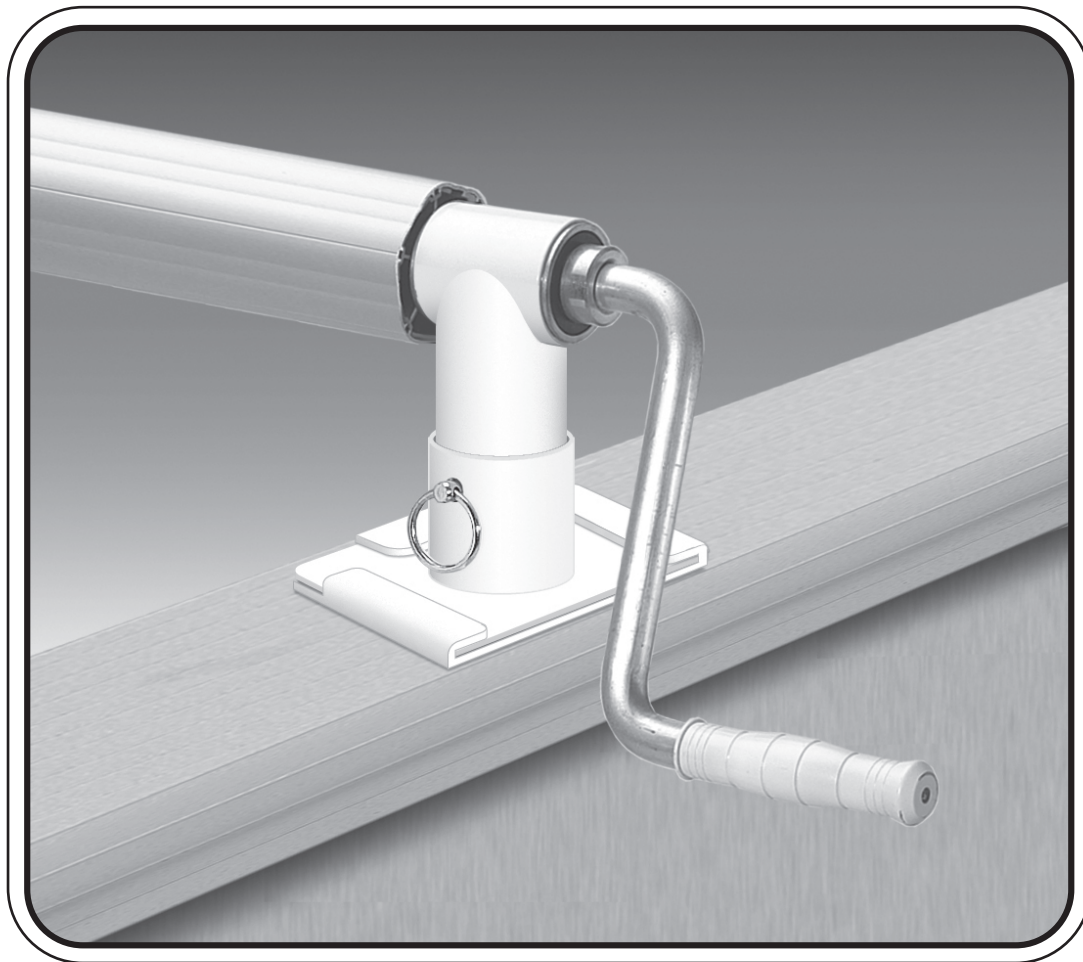
Item #50050 Instructions

SWIMLINE®

HYDROTOOLS™

Solar Reel™

*Premium Aluminum Reel System
For Above Ground Solar Pool Covers*



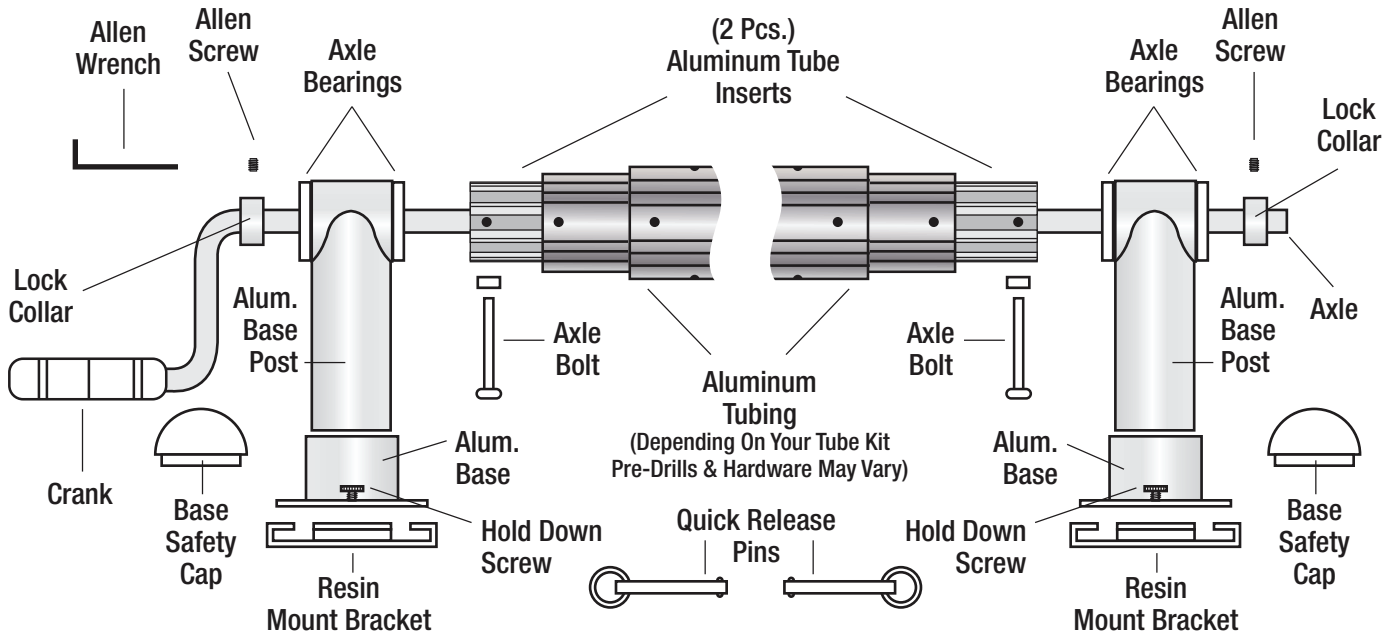
HYDROTOOLS
by ILP/Swimline

Edgewood, New York 11717 • www.swimline.com

SWIMLINE®
HYDROTOOLS™
Solar Reel™

Item # 50050
Aluminum Reel System
For Above Ground
Solar Pool Covers






1. Congratulation on your purchase of our PREMIUM ALUMINUM Solar Reel System for Above Ground Pools. Please follow the instructions carefully so as to not void our warranty.
2. Please use your solar blanket and reel assembly in the manner it was intended for:
 - a. Your solar blanket is not a safety cover
 - b. Remove the solar blanket and Solar Reel assembly from the pool completely before swimming use.
 - c. Do not store the solar blanket on the ground in direct sunlight, as it will burn the lawn
3. **Preparation & Assembly:** Check inventory of all items and assemble as illustrated below:

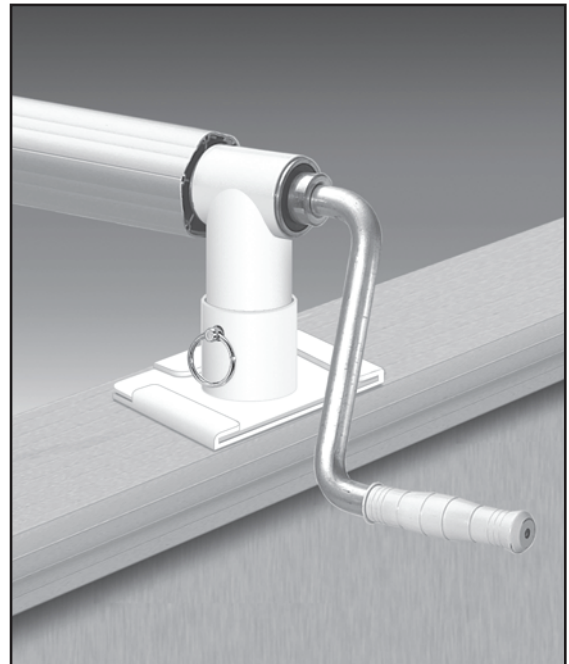


PARTS LIST

- (2) Resin Mounting Brackets
- (2) Aluminum Bases
- (2) Aluminum Base Posts
- (4) Axle Bearings (Installed)
- (2) Lock collars w/ Allen screws
- (1) Allen Wrench for lock collar
- (1) 3" Aluminum Tube Insert
- (1) 3" Aluminum Tube Insert w/ Axle
- (2) Base Safety Caps
- (2) Hold Down Screws
- (2) Quick Release Pins
- (1) Strap Kit
- (8) Self Drilling Mounting Screws
- (2) 3.25" SS Axle Bolts & Nuts

STRAP KIT

-  (11 Pcs.) Plastic Screw (1 extra piece)
-  (21 Pcs.) Plastic Strap Plate (1 extra piece)
-  (11 Pcs.) Stainless Steel Self-Drilling Screws (1 extra piece)
-  (1 Pc.) Driver Bit
-  (10 Pcs.) Fabric Straps (1 extra piece)



**4. Depending upon the size of your pool you will also require one of the following tube kits:
(Tube Assembly is detailed below and on back cover)**

Item #51120 3" Tube Kit

Contains
 (1) 59-1/2" x 2.920" Diameter extruded aluminum shaft
 (2) 59-1/2" x 2.745" Diameter extruded aluminum shaft
 (4) 3" Through Bolts
 (1) Drill Bit

Item #51160 3" Tube Kit

Contains:
 (1) 72" x 2.920" Diameter extruded aluminum shaft
 (2) 72" x 2.745" Diameter extruded aluminum shaft
 (4) 3" Through Bolts
 (1) Drill Bit

Item #51200 3" Tube Kit

Contains:
 (2) 59-1/2" x 2.920" Diameter extruded aluminum shaft
 (3) 59-1/2" x 2.745" Diameter extruded aluminum shaft
 With (8) 3" Through Bolts
 (1) Drill Bit

Item #51240 3" Tube Kit

Contains:
 (2) 68" x 2.920" Diameter extruded aluminum shaft
 (3) 68" x 2.745" Diameter extruded aluminum shaft
 With (8) 3" Through Bolts
 (1) Drill Bit

Item #51284 4" Tube Kit

Contains:
 (3) 58" x 3.80" Diameter extruded aluminum shaft
 (4) 58" x 3.725" Diameter extruded aluminum shaft
 With (8) 3" Through Bolts
 (1) Drill Bit
 (2) 4" x 6" Aluminum tube inserts

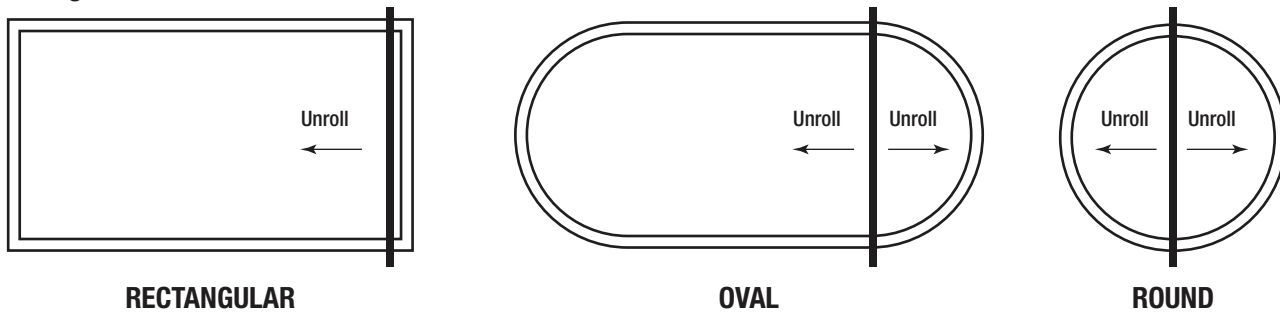
5. Positioning Your Solar Reel:

For Rectangular pools, place top-rail brackets at either end of pool.

For Oval pools, place top-rail brackets at either end of pool where radius begins.

For Round pools, place top-rail brackets at center of pool. (See Illustrations below)

Fig. A



6. Trimming Your Solar Blanket:

- Lay your Solar Blanket (not provided) on top of water.

IMPORTANT! Oval & Round Pool owners will need to fold their solar covers at point of placement of brackets! The cover will unroll left and right of brackets & cross pole. Please allow 6 inches more material on length to allow for a fold where straps will be attached for wind onto reel system. (See Fig A above)

- With scissors trim blanket to fit shape of pool. Be sure to clear the inside top rail of pool.

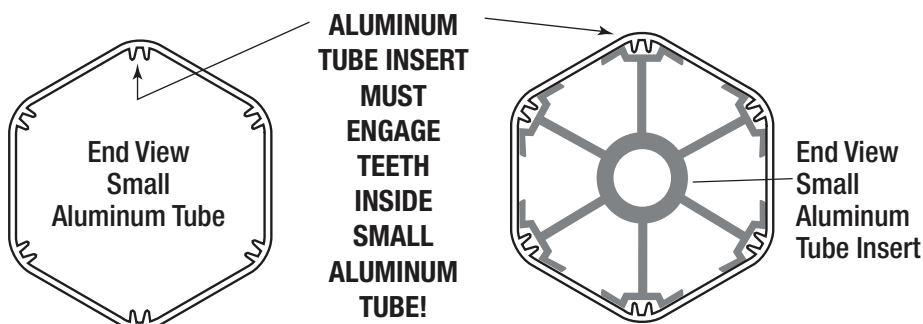
7. Mounting your Solar Reel Brackets: Exercise caution before drilling any holes in your top rail to avoid damaging the wall or liner.

Plastic Mounting Bracket - Use of plastic mounting bracket allows you to slide the aluminum base out of bracket and store the complete reel system out of way when pool is in use. Locate area on top rail of pool where you want to mount your reel system. Plastic mounting bracket is attached to the top rail with self-drilling screws through the four counter sunk holes in the bracket.

8. Assembling The Tube Kit:

All tube kits consist of 6 sided Hexagon shaped aluminum tubing. There are two sizes of tubing, the smaller size nesting into the larger size. All tube kits begin and end with the smaller diameter tubes. The Aluminum tube inserts require **CAREFUL ALIGNMENT!** (See illustration below for proper insertion).

Fig. B



8. Assembling The Tube Kit: (Continued)

Loosely assemble tubes together. Slide excess width into adjoining tubes, dividing it up as equally as possible.

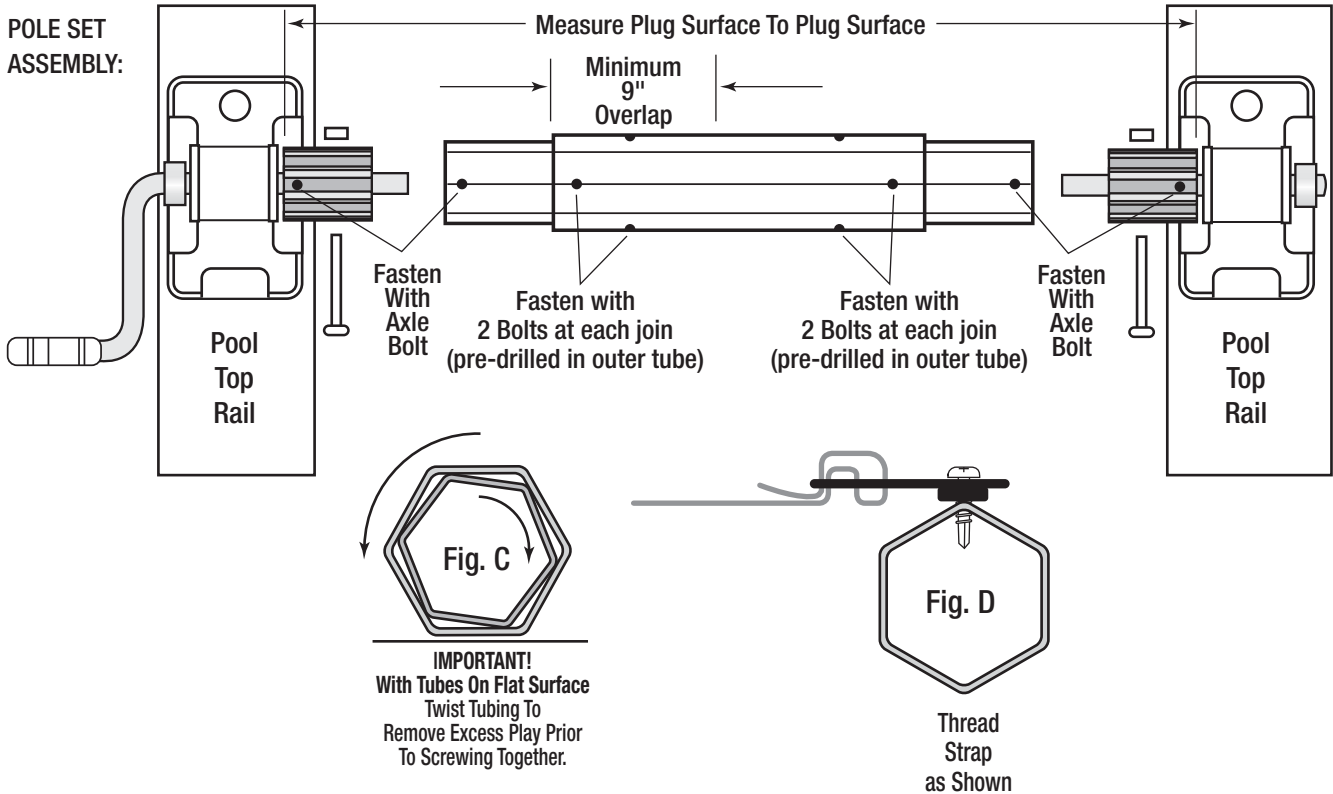
Note: You must have a minimum of 9" overlap in each tube!

Measure the width across the pool from tube insert to tube insert and adjust length of the tube assembly to fit the span.

Once you have determined exact length of tube assembly, **AND With tubes on flat surface**, lock the tubes together by rotating each adjoining tube in the opposite direction. (See Figure C Below)

Using the pre-drilled holes in the outer tube as a guide to drill the smaller inner tube, drill holes for the through bolts to connect the tubes. Drill from each side with the drill bit supplied.

Fasten with 2 bolts & nuts at each join. Bolts are at **OPPOSING** angles to each other.



9. Attach Straps to Tubes:

Come in 6 inches from each tube end and attach a strap plate to the aluminum tube assembly.

Use the self drilling screws on the drill line to attach the plate. Look at the holes that were pre-drilled at the factory and use the same drill line. There are 6 lines on each tube.

Take the remaining strap plates and connect them evenly along the length of the tube assembly.

Attach Straps to strap plate. (See Fig. D Above Right)

10. Attach Solar Blanket to Straps:

If reel is to be located at the end of the pool, attach cover to strap plate with plastic screw as shown in Fig. E Below Left.

If reel is to be located offset or at the center of the pool then attach cover to strap plate forming a fold to act like a hinge and the plastic screw will go through two layers of the solar blanket as shown in Fig. F Below Right.

Bubbles should face down.

Fig. E

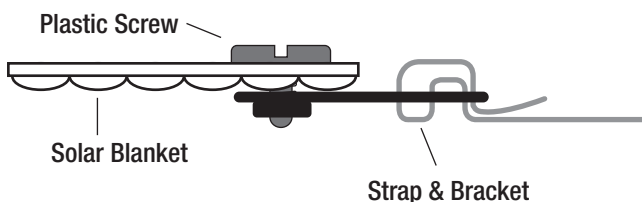


Fig. F

