

HANG TEN!



Big Kahuna

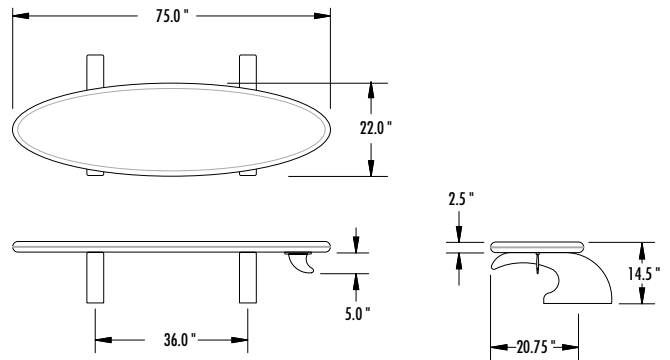
HANG TEN IN YOUR OWN BACKYARD!

Bring the beach to the backyard with the Big Kahuna, a surfboard-shaped SplashDex, the coolest new feet-first way to get wet!

- Installed on “wave” legs, anchored in two Universal Anchors
- Platform top utilizes new SureFoot™ non-slip tread for maximum safety.
- Available in three cool designs (see back)
- No exposed metal parts — eliminates corrosion
- Install on Type I or greater pools
- Weight Limit: 250 lbs.



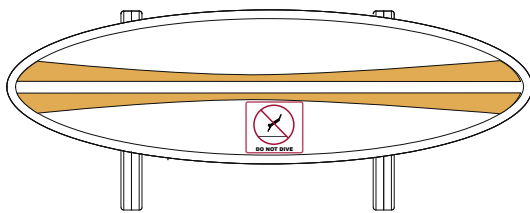
Big Kahuna



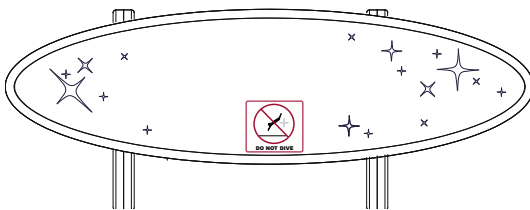
Hang ten!



Hokusai Wave



Orange Crush



SuperNova

All installations must meet applicable local codes and installation must be completed in accordance with S.R. Smith written instructions.

Model No.	Description
66-209-1100	Hokusai Wave
66-209-1200	Orange Crush
66-209-1300	Super Nova

Copyright © 2006 S.R.Smith. All rights reserved.

M-E-BRO-390 09/06



Home Office, Sales and Manufacturing
 P.O. Box 400 • 1017 SW Berg Parkway
 Canby, OREGON 97013
 Phone 503.266.2231 • Fax 503.266.4334

www.srsmith.com 800.824.4387