

THE HIP WAY TO HOP!



*HipHop*TM

THE HIP WAY TO HOP INTO YOUR POOL!

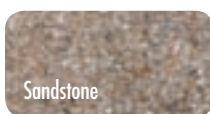
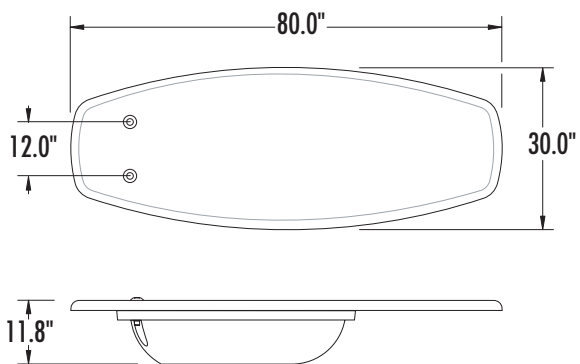
- Composite material diving board, increases board strength and lengthens product life.
- Unique shape adds fun to your pool without detracting from your poolscape
- New D-Lux stand designed specifically for use with this board, easily installs on existing 6' Flyte-Deck II jig
- Can be installed on Type I-V pools
- Board can also be used on 6' Flyte-Deck II, 606 Cantilever, or 656 Supreme stands
- Board has a matching, SureFootTM non-slip tread for maximum safety.
- Stainless steel hardware for added corrosion resistance.



HipHop™



The hip way to hop!



Sandstone



Gray Granite



White

Actual product colors may vary

All installations must comply with all applicable local and national codes and installation must be completed in accordance with S.R.Smith installation instructions.

HIPHOP ON D-LUX STAND

Model No.	Color
68-209-412	Radiant White
68-209-4124	Gray Granite
68-209-4123	Sandstone

HIPHOP ON CANTILEVER STAND

Model No.	Color	Stand Color
68-210-4162	Radiant White	White
68-210-41624	Gray Granite	Gray Granite
68-210-41623	Sandstone	Taupe

Maximum weight load: 250 lbs.

Copyright © 2008 S.R.Smith. All rights reserved.

M-E-BRO-56 01/08



Home Office, Sales and Manufacturing
P.O. Box 400 • 1017 SW Berg Parkway
Canby, OREGON 97013
Phone 503.266.2231 • Fax 503.266.4334

www.srsmith.com 800.824.4387