

SHOW YOUR STYLE!



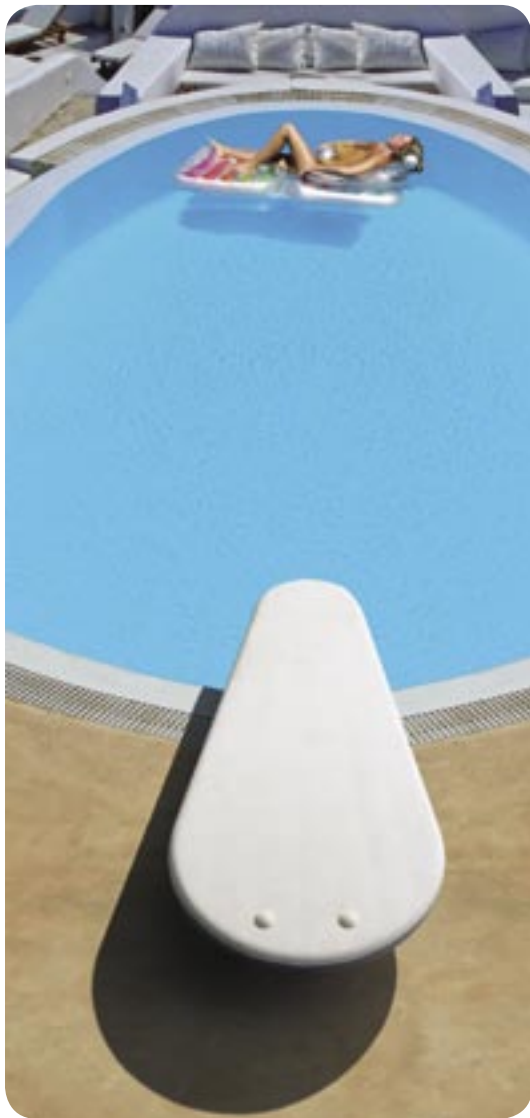
FreeStyle™

SHOW YOUR STYLE POOLSIDE!

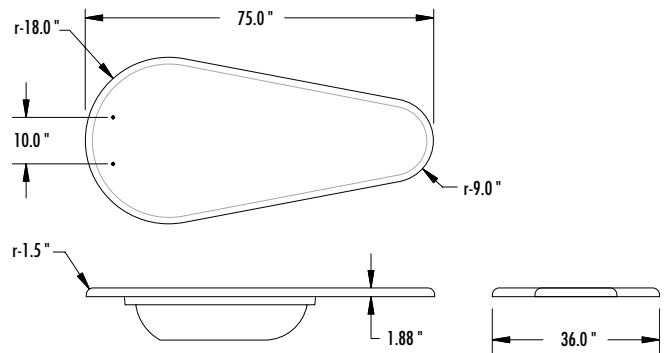
- Composite material diving board, increases board strength and lengthens product life.
- Unique shape adds fun to your pool without detracting from your poolscape
- New stand designed specifically for use with this board, easily installs on existing 6' Flyte-Deck II jigs
- Installs like a 6' board on Type I-V pools.
- Twice the width of traditional diving boards at widest point
- Board has a matching SureFoot™ non-slip tread for maximum safety.
- Stainless steel hardware for added corrosion resistance.



FreeStyle™



Show your style poolside!



Sandstone



Gray Granite



White

Actual product colors vary slightly.

All installations must meet applicable local codes and installation must be completed in accordance with S.R. Smith written instructions.

Model No.	Color
68-209-422	Radiant White
68-209-4223	Sandstone
68-209-4224	Gray Granite

Copyright © 2006 S.R. Smith. All rights reserved.

M-E-BRO-57 09/06



Home Office, Sales and Manufacturing
P.O. Box 400 • 1017 SW Berg Parkway
Canby, OREGON 97013
Phone 503.266.2231 • Fax 503.266.4334

www.srsmith.com 800.824.4387