

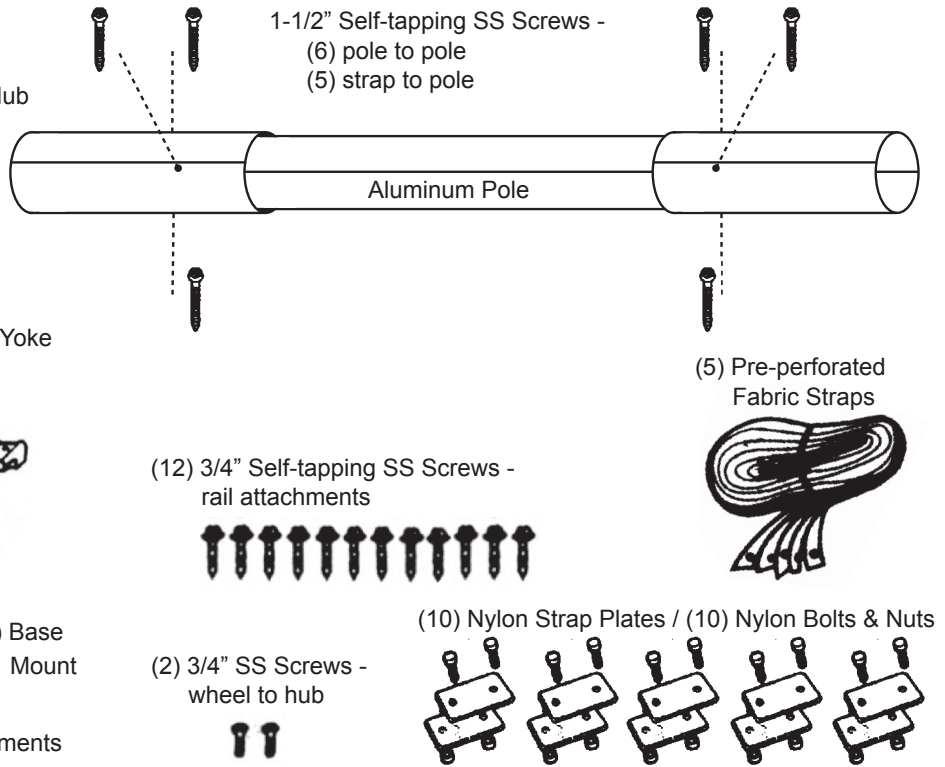
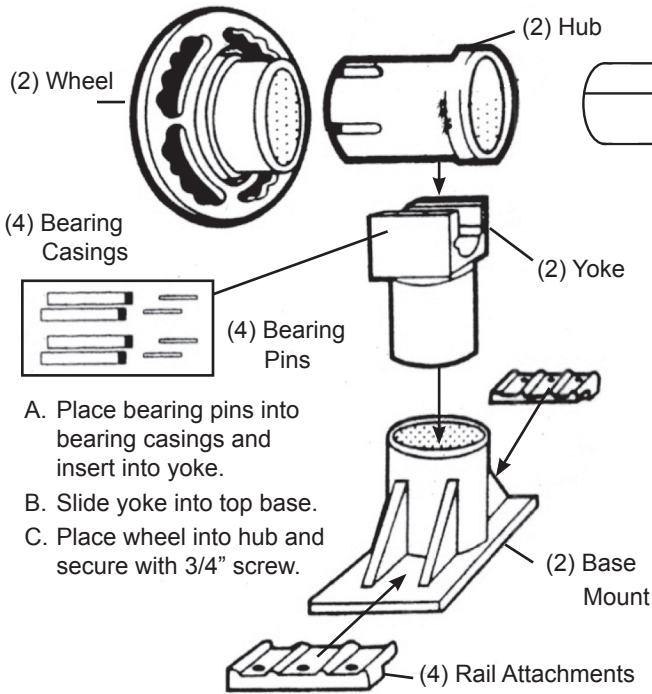
Doheny's Water Warehouse Deluxe Wheel Above Ground Reel System

Item #2827: Pools up to 18' Wide OR Item #2828: Pools 19'-24' Wide

Tools Required: power drill, metal cutting drill bits, hex socket wrench with 7/16" hex socket, Philips screwdriver & magic marker.

1 Preparation & Assembly:

Check inventory of all items and assemble base mount as illustrated below.

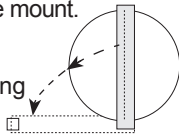


2 Reel System Placement:

Note: Make certain there is a flat surface on the top rail and that there is no obstruction under top rail to prevent mounting the base mount.

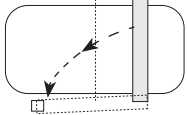
Round Pool:

Install reel system crossing center of your pool.



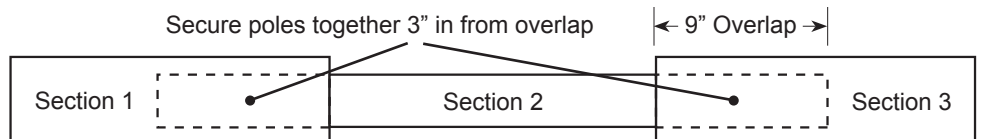
Oval Pool:

Install reel system near the end of your pool before radius.



3 Determining Pole Length:

- A. Pole Sections 1 and 3 should always equal and never exceed the following:
Item #2827 = 5'10" / Item #2828 = 7'8"
- B. If your pool is less than 13' wide, cut Section 2 with a hacksaw to shorten.
1. Measure your pool's width from the inside edge of pool's top rails.
 2. Place Section 2 inside Sections 1 and 3. Slide Sections 1 and 3 out to the desired total pole length. **Note:** Total pole length is usually the pool width + 9".
- C. Place reel and base mounts onto top rail. This verifies the tubing is wide enough.



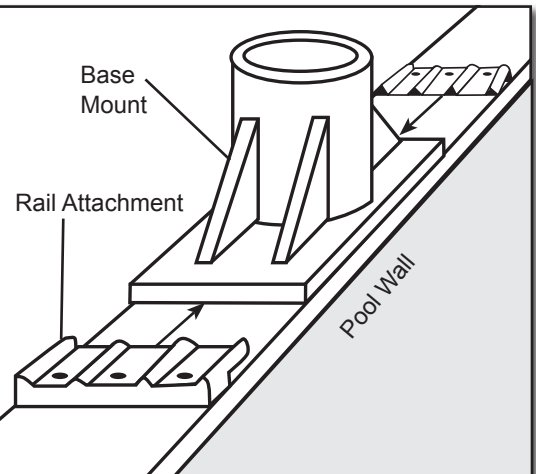
4 Pole Assembly:

1. To fasten the poles, drill self-tapping screws along the groove line 3" in from right end of Section 1 through Section 2 (see illustration above right).
2. Rotate poles 120°, repeat step 1.
3. Rotate poles another 120°, repeat step 1 again.
4. To fasten Sections 2 and 3 together, follow pole assembly instructions 1 through 3.

Note: You will use (6) total 1-1/2" self-tapping screws to secure pole set together.

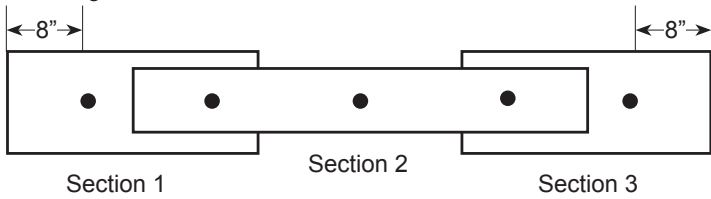
5 Installing Base Mount onto Pool Railing:

1. Place each base mount onto top rail.
2. Rail attachments should be mounted so that the base mount can slide in towards your pool. This will keep reel system more secure.
3. Drill 3 screws per side into rail attachments. Attachments fit tightly over the base mount.

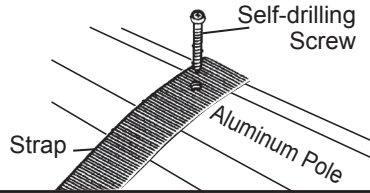


6 Prepare and Drill Holes Equally Spaced:

1. Measure 8" in from the hubs towards the center of the poles on both sides of tubing. Mark poles with a marker.
2. Mark 3 more **equally spaced** marks on the pole assembly in a straight line.

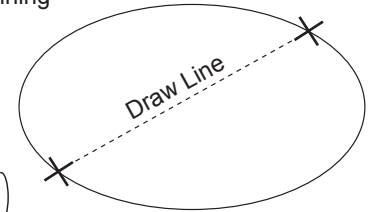
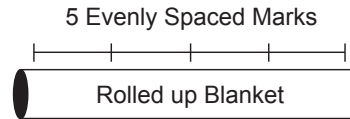


3. Drill in one end of each (5) pre-perforated fabric straps with 1-1/2" SS Screws, using markings as a guide. Use strap end with one pre-perforated hole.



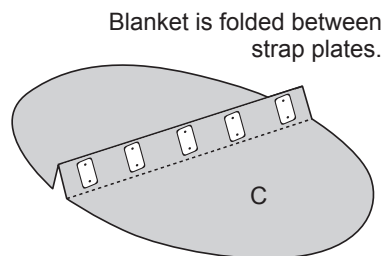
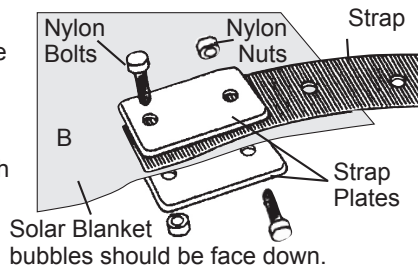
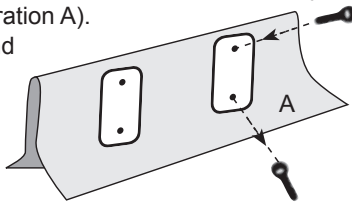
7 Attach Solar Blanket to Reel:

1. Your solar blanket should be in the pool and trimmed to the inside of your pool's top rail. Make a mark with marker at each edge of the blanket directly below tube.
2. Remove blanket from pool and lay flat on ground. Draw a straight line between the two marks on the blanket.
3. Roll blanket up until you reach your drawn line and measure in 8" from each side of blanket and place a cross mark on the line.
4. Next, take the measurement used between the first pole marks and equally space the 3 remaining marks down the line to the second 8" measurement.



8 Attach Nylon Plates & Fabric Straps to Solar Blanket:

1. Start with the first 8" mark from the folded edge of the blanket.
2. Attach a nylon plate to the blanket on the drawn line by pulling a double thickness of the blanket into the nylon plate (shown in illustration A).
3. Take a second nylon plate and place directly underneath the first nylon plate. Use a sharp instrument (such as a Phillips screwdriver) and punch holes through the first nylon plate, then the blanket, ending with the second nylon plate. Make certain that the holes are clean of excess blanket material.
4. Insert the nylon bolts through the nylon plate, then through an open hole of a corresponding fabric strap which is already attached to the pole, then the blanket, and finish with the other nylon plate. Secure with nylon nuts (see illustration B). Solar Blanket bubbles should be face down.
5. Continue attaching the remaining 4 sets of nylon plates and straps to your solar blanket at each mark shown in step 7 (above right).
6. The last set of plates and last strap should be 8" from the opposite edge of the blanket (see illustration C).

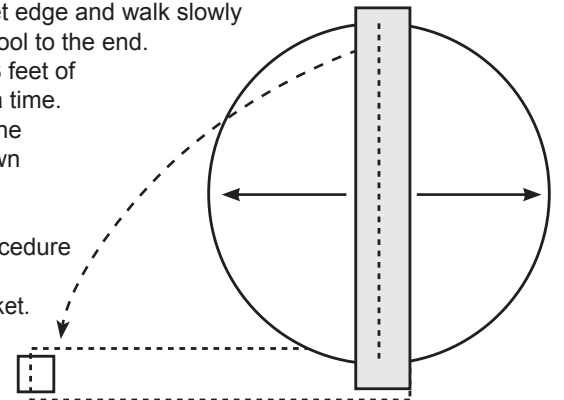


9 Operating Instructions:

1. After reel system is assembled on your pool, slowly turn wheel clockwise; the blanket will be lifted up and over the pole. Should either blanket edge be hampered by the top rail, straighten it out so that the blanket remains smooth and wrinkle-free during roll-up. Make certain the blanket is removed from the pool uniformly onto pole (see diagram below).
2. When the blanket is completely rolled up on the pole, lift the wheel, pole and yoke and rotate system to any desired location.
3. If desired, reel system may now be removed from top rail and stored.

10 Return Reel System to Pool:

1. Place reel system back onto pool by sliding base units into rail attachments, then sliding pole with solar blanket into base units.
2. Turn wheel counterclockwise until blanket makes contact with the pool.
3. Separate the two edges of the blanket from each other.
4. Grip blanket edge and walk slowly down the pool to the end.
5. Roll out 5-8 feet of blanket at a time.
6. Now walk the blanket down to the end of the pool.
7. Repeat procedure for second part of blanket.



HELPFUL HINTS:

1. Remove reel system at the end of each season.
2. Clean wheels, hubs, yokes, bearings, and bases with warm soapy water.

STORAGE:

1. Always store the reel system in a safe place.

MANUFACTURER IS NOT RESPONSIBLE FOR ACCIDENTS OR DAMAGE RESULTING FROM UNSAFE STORAGE.