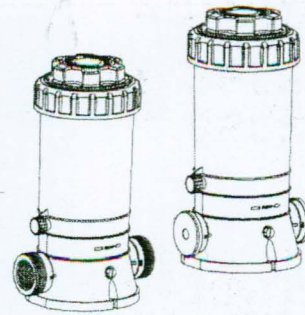


INSTALLATION GUIDE AND OPERATING INSTRUCTIONS

AUTOMATIC CHLORINE FEEDERS

SPLSH 70166 / 70167

SPLSH 70168 / 70169



SAVE THESE INSTRUCTIONS

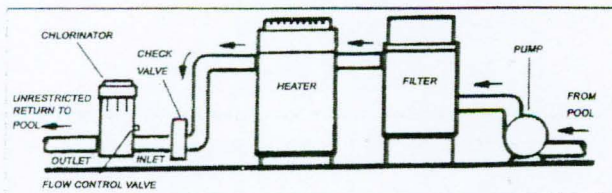
I) INSTALLATION

70167 / 70169

1. Your 70167 / 70169 automatic chlorine feeder is designed for permanent installation in the pool water return line.
2. Always install the chlorine feeder after the heater. If there is no heater, install after the filter. Damage to the heater or filter may result if concentrated chlorine is allowed to flow through them.
3. 70167 / 70169 is furnished with 1 1/2" female threads. 70169 is also equipped with male threads. If male and union connections are desired, order S182 PVC male union connector package. Thread or socket adapters may also be used. Only use pipe sealants formulated and approved for use with ABS plastic connections. Do not overtighten pipe fitting. Proper fitting makeup is hand tight plus 1 to 1 1/2 turns maximum.

NOTICE: After starting up system, re-check all connections for leaks. Re-tighten as required.

4. Refer to **Section II DIRECTIONS FOR USE.**



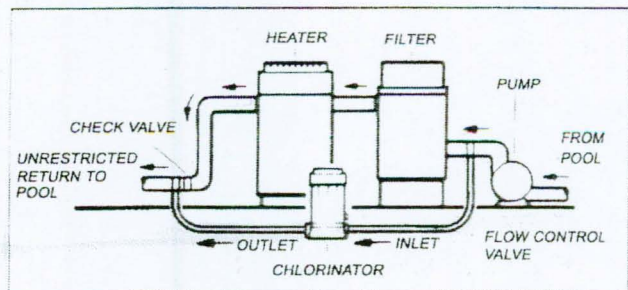
NOTE: Never install chlorine feeder directly into copper plumbing as pipe damage may occur. If you have brass or bronze backwash valves, or other sensitive metallic components, consult your dealer for precautions or recommendations for your particular system.

70166 / 70168

A. PLANNING INSTALLATION

1. The inlet connection should be made in the piping after the pump and before the filter. Mark location on pipe.

2. The outlet connection should be made in the piping after the heater. If no heater is being used, connection should be made after the filter. Mark location on pipe.
3. Based on the locations from steps. No. 1 and No. 2, cut tubing to required lengths. Be sure ends are cut evenly and cleanly.



NOTE: Never install chlorine feeder directly into copper plumbing as pipe damage may occur. If you have brass or bronze backwash valves, or other sensitive metallic components, consult your dealer for precautions or recommendations for your particular system.

B. CONNECTION TO CHLORINATOR

1. Wrap Teflon tape on larger male thread of Check Valve and thread it securely into outlet port of chlorinator.
NOTICE: The Check Valve is marked with a "dot" It also has a ball that "clicks" when you shake it.
2. Wrap Teflon tape on large male thread of the inlet Fitting Adapter and thread it securely into the inlet port of chlorinator.
3. To connect inlet tubing to chlorinator, place compression nut over inlet tubing and nut up about 2". Insert the tubing all the way into the inlet fitting adapter socket and, holding tubing in place, tighten nut firmly by hand. Do not overtighten.

4. Connect outlet tubing to the Check Valve in the same manner as in step 3 above.

C. CONNECTION TO PLUMBING LINES

NOTICE: The Saddle Fittings and clamps are designed to fit the O.D. of 1 1/2" or 2" pipe.

5. Drill a 3/8" hole at location identified in Step 1 of planning installation section. Clean all burrs, shavings ect. Fit Saddle Fitting, with gasket, into oval shaped hole in clamp and insert fitting into the 3/8" hole. Secure clamp around Saddle Fitting, gasket and pipe and tighten securely to achieve a good seal. Do not overtighten clamp.
6. Drill a 3/8" hole at location identified in Step 2 of Planning Installation section. Install Saddle Fitting as in Step 5 above.
7. Connect inlet and outlet tubing to the Saddle Fittings with Compression Nuts as in Step 3 above. Do not over tighten.

NOTICE: After starting up system, re-check all Connections for leaks. Re-tighten as required.

II) DIRECTIONS FOR USE

GENERAL

Before using your chlorinator, your pool/spa water should be properly balanced and conditioned and should have a chlorine residual of approximately 1.0 to 1.5 ppm. Follow dealer and chemical manufacturer's directions and instructions. Check chlorine residual daily and adjust the dial valve for more or less chlorine. The chlorine demand for pools and spas varies based on usage, temperature, sunlight, ect. Initially, you'll have to experiment to determine the proper amount of chlorine and the correct valve setting required for your pool and filter time cycle. Follow chemical manufacturer's instructions for proper chlorine level.

REFILLING CHLORINATOR



- Use only 3" diameter slow dissolving Trichloro-S Triazinetrione Chlorine tablets.
- Never use fast dissolving Trichloro-S-Triazinetrione Chlorine tablets.
- Never mix chemicals as it may cause fire and/or an explosion.
- Never mix Trichloro-S-Triazinetrione Chlorine Tablets with Calcium Hypochlorite, or with any other form of concentrated chlorine or other chemicals. Fire and/or explosion may result.
- Never add any other types of chlorine, pH adjusters, shock treatments or algaecides through the skimmer. If these products must be used, they should be added directly into the pool water.
- Never isolate chlorine feeder with valve or other Devices.



- Read and follow all Safety Instructions prior to operating or servicing this chlorine feeder.
- To reduce the risk of injury, do not permit children to use this product.

- Wear eye and skin protection while maintaining or servicing this unit.
 - Do not inhale fumes from the chlorinator or chemical container.
 - Chlorine feeder may be under pressure. Use Caution removing cover.
1. Shut off all pumps and pump timers.
 2. Turn chlorine feeder flow control valve to "OFF"
 3. Verify chlorine feeder return line to pool is unrestricted.
 4. Wait one minute to relieve system pressure before attempting to remove cover.
 5. Remove cover.
 6. Refill chlorine feeder only with 3" diameter slow dissolving Trichloro-S-Triazinetrione Chlorine Tablets.
 7. Secure cover to chlorine feeder.
 8. Turn flow control valve to desired setting and Restart pump.

III) MAINTENANCE

A) TO CHANGE O-RING

70166 / 70167

1. Read and follow instructions in Step 1 to 5 in Refilling Chlorinator section.
2. Remove the O-Ring and replace with a Splash replacement O-Ring (part no. S067K).
3. Replace cover. If chlorinator needs to be refilled, read and follow instructions in Steps 6 to 8 in Refilling Chlorinator section.

70168 / 70169

1. Read and follow instructions in Step 1 to 5 in Refilling Chlorinator section.
2. Replace O-Ring with a Splash replacement O-Ring (part no. S068K). Reassemble being sure Slip Washers are in place on stem of Cover (Inside).
3. Replace cover. If chlorinator needs to be refilled, Read and follow instructions in Steps 6 to 8 in Refilling Chlorinator section.

B) TO REMOVE FLOW CONTROL VALVE HANDLE

Set pointer to FULL. Insert screwdriver in slot opposite pointer, lift up and rotate handle counterclockwise. This allows the handle index lock tab to clear the body ridge.

C) WINTERIZING

Where freezing temperatures can be expected, drain all water from chlorinator, (For in-line permanently installed unit remove drain plug). Carefully remove undissolved tablets, and rinse out chlorinator thoroughly with water. Replace cover and drain plug.

D) VACUUMING

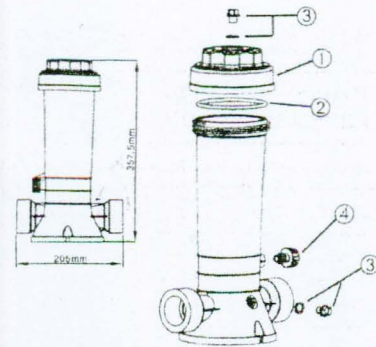
When vacuuming, close flow control valve to prevent bypass of sediment and possible clogging of control valve.

E) LUBRICATION

Never use petroleum type lubricants on Cover O-Ring. To lubricate use Jack's No. 327 lube only.

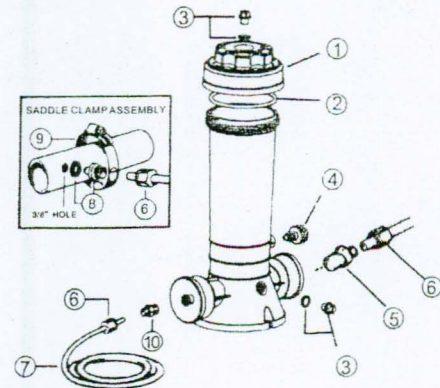
70167 SERIES

REF NO.	PART NUMBER	DESCRIPTION	NO. REQ'D
1	647016703080	Cover	1
2	65431033080	O-Ring	1
3	88601004	Drain Plug w/Gasket	2
4	647016875000	Control Valve Assembly	1



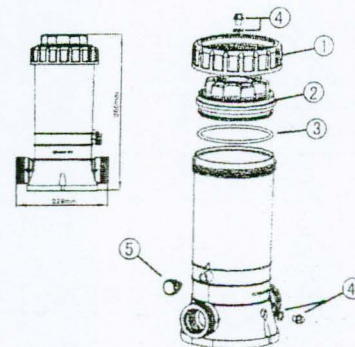
70166 SERIES

REF NO.	PART NUMBER	DESCRIPTION	NO. REQ'D
1	647016703080	Cover	1
2	65431033080	O-Ring	1
3	88601004	Drain Plug w/Gasket	2
4	647016875000	Control Valve Assembly	1
5	647016807080	Inlet Fitting Adapter	2
6	647016806001	Compression Nuts	4
7	65749011080	Plastic Tubing—8 ft.	1
8	647016805080	Saddle Fitting	2
9	65021013000	Saddle Clamp	2
10	647016873000	Check Valve Assembly	1



70169 SERIES

REF NO.	PART NUMBER	DESCRIPTION	NO. REQ'D
1	647016803080	Cover Cap	1
2	647016802000	Cover	1
3	65431036080	O-Ring	1
4	88601004	Drain Plug w/Gasket	2
5	647016875000	Control Valve Assembly	1



70168 SERIES

REF NO.	PART NUMBER	DESCRIPTION	NO. REQ'D
1	647016803080	Cover Cap	1
2	647016802000	Cover	1
3	65431036080	O-Ring	1
4	88601004	Drain Plug w/Gasket	2
5	647016875000	Control Valve Assembly	1
6	647016807080	Inlet Fitting Adapter	2
7	647016806001	Compression Nuts	4
8	65749011080	Plastic Tubing — 8 ft.	1
9	647016805080	Saddle Fitting	2
10	65021013000	Saddle Clamp	2
11	647016873000	Check Valve Assembly	1

