

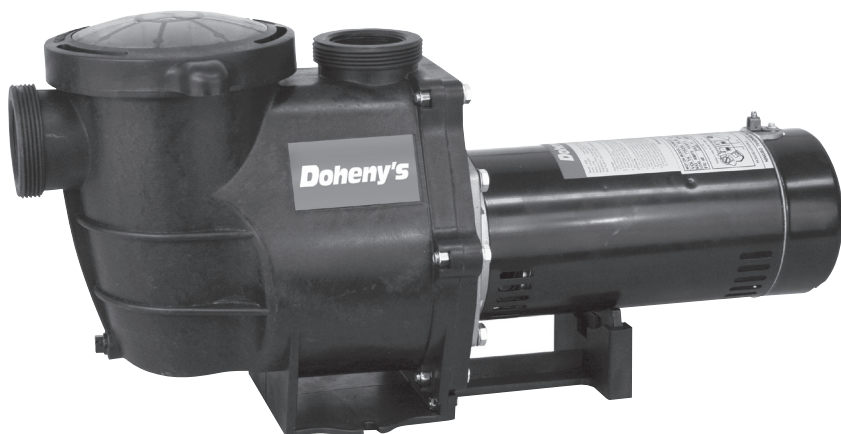
Doheny's

Pool Supplies **FAST!**

Above Ground & In-ground Pumps

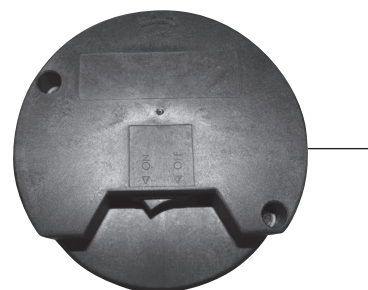
Item #s 2601, 6578, 6579, 2716, 6589, 7811 & 7812

INSTALLATION, OPERATION & PARTS



In-ground Pump
Item #s 2716 & 6589

**Above Ground
On/Off Pump Option**
Item #s 7811 & 7812



Above Ground Pump (Plug)
Item #s 2601, 6578 & 6579



Above Ground Deluxe Pump
Item #s 4657 & 5014



To prevent potential injury and to avoid unnecessary service calls, read this manual carefully and completely.

SAVE THIS INSTRUCTION MANUAL Use of appointed replacement parts voids warranty.

ATTENTION INSTALLER – THIS MANUAL CONTAINS IMPORTANT INFORMATION ABOUT THE INSTALLATION, OPERATION, AND SAFE USE OF THIS PUMP THAT MUST BE PROVIDED TO THE END USER OF THIS PRODUCT. FAILURE TO READ AND FOLLOW ALL INSTRUCTIONS COULD RESULT IN SERIOUS INJURY.

Symbol means:

▲ DANGER

Indicates that if failure to avoid potential hazard, **will** cause severe personal injury or death or property damage.

▲ WARNING

Indicates that failure to avoid potential hazard, **could** result in severe personal injury or death or property damage.

▲ CAUTION

Indicates that failure to avoid potential hazard, **will or could** cause moderate personal injury or property damage.

CHAPTER 1: IMPORTANT SAFETY INSTRUCTIONS

READ AND FOLLOW ALL INSTRUCTIONS

▲ WARNING Pay Attention to Children.

1. To reduce risk of injury, do not permit children to use or climb on this product. Closely supervise children at all times. Components such as the filtration system, pumps, and heaters must be positioned to prevent children from using them as a means of access to the pool.
2. This pump is intended for use on permanently installed swimming pools and may also be used with hot tubs and spas if so marked. Do **NOT** use with storable pools. A permanently installed pool is constructed in or on the ground or in a building such that it cannot be readily disassembled for storage. A storable pool is constructed so that it is capable of being readily disassembled for storage and reassembled to its original integrity.
3. Though this product is designed for outdoor use, it is strongly advised to protect the electrical components from the weather. Select a well-drained area, one that will not flood when it rains. It requires free circulation of air for cooling. Do not install in a damp or non-ventilated location.
4. Pool and spa components have a finite life. All components should be inspected frequently and replaced at least every five years, or if found to be damaged, broken, cracked, missing, or not securely attached.

▲ WARNING Risk of Electric Shock. Applies to Inground Pumps

5. Hazardous voltage. Can shock, burn, or cause death. To reduce the risk of electric shock, do NOT use an extension cord to connect unit to electric supply. Provide a properly located outlet. It is required that licensed electricians do all electrical wiring. All electrical wiring MUST be in conformance with applicable local and national codes and regulations. Before working on pump or motor,

disconnect motor wiring.

6. To reduce the risk of electric shock, replace damaged cord immediately. Do NOT bury cord. Locate cord to prevent abuse from lawn mowers, hedge trimmers and other equipment.
7. Risk of Electric Shock. Connect only to a branch circuit protected by a ground-fault circuit-interrupter (GFCI). Contact a professional electrician if you cannot verify that the receptacles are protected by a GFCI.
8. Failure to bond pump to pool structure will increase risk for electrocution and could result in injury or death. To reduce the risk of electric shock, see installation instructions and consult a professional electrician on how to bond pump. Also, contact a licensed electrician for information on local electrical codes for bonding requirements.
9. Use a solid copper conductor, size 8 or larger. Run a continuous wire from external bonding lug to reinforcing rod or mesh. Connect a No. 8 AWG (8.4 mm²) solid copper bonding wire to the pressure wire connector provided on the motor housing and to all metal parts of swimming pool, spa, or hot tub, and to all electrical equipment, metal piping (except gas piping), and conduit within 5 feet (1.5m) of inside walls of swimming pool, spa or hot tub.
IMPORTANT: Reference NEC codes for all wiring standards including, but not limited to, grounding, bonding and other general wiring procedures.
NOTE: The National Electrical Code (NEC) permits use of a cord with a maximum 3 feet (1m) length. If your pump is equipped with a cord complying with the NEC, the preceding four hazards apply.
10. Do not install within an outer enclosure or beneath the skirt of a hot tub or spa.
11. **SAVE THESE INSTRUCTIONS.**
12. These pumps are not pool side pumps.

▲ WARNING Suction Entrapment Hazard.

13. Suction in suction outlets and/or suction outlet covers, which are damaged, broken, cracked, missing, or unsecured, cause severe injury and/or death due to the following entrapment hazards:
Hair Entrapment: Hair can become entangled in suction outlet cover.
Limb Entrapment: A limb inserted into an opening of a suction outlet sump or suction outlet cover that is damaged, broken, cracked, missing, or not securely attached can result in a mechanical bind or swelling of the limb.
Body Suction Entrapment: A pressure applied to a large portion of the body or limbs can result in an entrapment.

Evisceration/Disembowelment: A negative pressure applied directly to the intestines through an unprotected suction outlet sump or suction outlet cover which is damaged, broken, cracked, missing, or unsecured can result in evisceration/disembowelment.

Mechanical Entrapment: There is potential for jewelry, swimsuits, hair decorations, fingers, toes, or knuckles to be caught in an opening of a suction outlet cover resulting in mechanical entrapment.

▲WARNING Reduce Risk of Entrapment Hazards.

14. When outlets are small enough to be blocked by a person, a minimum of two functioning suction outlets per pump must be installed. Suction outlets in the same plane (floor or wall), must be installed a minimum of 3 feet [0.91 meter] apart, as measured from near point to near point.
 - Dual suction fittings shall be placed in such locations and distances to avoid 'dual blockage' by a user.
 - Dual suction fittings shall not be located on seating areas or on the backrest for such seating areas.
 - The maximum system flow rate shall not exceed the values shown in the 'Pipe Sizing Chart' found at this manual.
 - Never use pool or spa if any suction outlet component is damaged, broken, cracked, missing, or not securely attached.
 - Replace damaged, broken, cracked, missing, or not securely attached suction outlet components immediately.
 - Installation of a vacuum release or vent system, recommended, relieves entrapping suction.

▲WARNING Hazardous Pressure.

15. Pool and spa water circulation systems operate under hazardous pressure during start-up, normal operation, and after pump shut-off. Stand clear of circulation system equipment during pump start-up. Failure to follow safety and operation instructions could result in violent separation of the pump housing and cover due to pressure in the system, which could cause property damage, severe personal injury, or death. Before servicing pool and spa water circulation system, all system and pump controls must be in off position and filter manual air relief valve must be in open position. Before starting system pump, all system valves must be set in a position to allow system water to return back to the pool. Do not change filter control valve position while system pump is running. Before starting system pump, fully open filter manual air relief valve. Do not close filter manual air relief valve until a steady stream of water (not air or air and water) is discharged. All suction and discharge

valves **MUST** be **OPEN** when starting the circulation system. Failure to do so could result in severe personal injury and/or property damage.

▲WARNING Separation Hazard.

16. Failure to follow safety and operation instructions could result in violent separation of pump components. Strainer cover must be properly secured to pump housing with strainer cover lock ring. Before servicing pool and spa circulation system, all system and pump controls must be in off position and filter manual air relief valve must be in open position. Do not operate pool and spa circulation system if a system component is not assembled properly, damaged, or missing. Do not operate pool and spa circulation system unless filter air relief valve body is in locked position in filter upper body. All suction and discharge valves **MUST** be **OPEN** when starting the circulation system. Failure to do so could result in severe personal injury and/or property damage.
17. Never operate or test the circulation system at more than 40 psi.

▲WARNING Fire and burn hazard.

18. Motors operate at high temperatures and if they are not properly isolated from any flammable structures or foreign debris, they can cause fires, which may cause severe personal injury or death. It is also necessary to allow the motor to cool for at least 20 minutes prior to maintenance to minimize the risk for burns.
19. Motor must be grounded in accordance with local and national electrical codes.
20. To prevent electrical shock or injury, do not run pump dry.
21. To reduce the risk of electric shock, install at least 10 feet from the inside walls of the pool. Do not use an extension cord.

CHAPTER 2: INSTALLATION INSTRUCTIONS

▲WARNING This product should be installed and serviced only by a qualified professional.

1. **Pump Mounting:** Install pump on a firm, level base or pad to meet all local and national codes. Fasten pump to base or pad with screws or bolts to further reduce vibration and stress on pipe or hose joints. The base **MUST** be solid, level, rigid, and vibration free.
Pump Mount Must:
 - Allow pump inlet height to be as close to water level as possible.
 - Allow use of short, direct suction pipe (to reduce friction losses).
 - Allow for gate valves in suction and discharge piping.
 - Be protected from excess moisture and flooding.

- Allow adequate access for servicing pump and piping.

Pipe Sizing Chart

MAXIMUM RECOMMENDED SYSTEM FLOW	
Pipe Size [mm]	Flow Rate GPM [Liter/Min]
1 in. [32 mm]	20 GPM [75]
1-1/4 in. [40 mm]	30 GPM [110]
1-1/2 in. [50 mm]	45 GPM [170]
2 in. [63 mm]	80 GPM [300]
2-1/2 in. [75 mm]	110 GPM [415]
3 in. [90 mm]	160 GPM [600]

NOTE: It is recommended that a minimum length of piping, equivalent to 10 pipe diameters, be used between the pump suction inlet and any plumbing fittings.

▲WARNING Hazardous Pressure.

Pumps, filters, and other equipment/ components of a swimming pool filtration system operate under pressure. Incorrectly installed and/or improperly tested filtration equipment and/or components may fail resulting in injury and/or property damage.

- Plumbing:** Use Teflon tape to seal threaded connections on molded plastic components. All plastic fittings must be new or thoroughly cleaned before use. **NOTE: Do NOT use Plumber's Pipe Dope as it may cause cracking of the plastic components.** When applying Teflon tape to plastic threads, wrap the entire threaded portion of the male fitting with one to two layers of tape. Wind the tape clockwise as you face the open end of the fitting, beginning at the end of the fitting. The pump suction and outlet ports have molded-in thread stops. **Do NOT attempt to force hose connector fitting past this stop.** It is only necessary to tighten fittings enough to prevent leakage. Tighten fitting by hand and then use a tool to engage fitting an additional 1-1/2 turns. Use care when using Teflon tape as friction is reduced considerably. **Do NOT over-tighten fitting or you may cause damage.** If leaks occur, remove connector, clean off old Teflon tape, re-wrap with one to two additional layers of Teflon tape, and re-install connector.
- Fittings:** Fittings restrict flow. For better efficiency, use the fewest possible fittings (but at least two suction outlets). Avoid fittings that could cause an air trap. Pool and spa fittings MUST conform to the International Association of Plumbing and Mechanical Officials (IAPMO) standards. Use a non-entrapping suction fitting in pool (multiple drains) or double suction (skimmer and main drain).

CHAPTER 3: ELECTRICAL

- Ground and bond motor before connecting to electrical power supply. Failure to ground and bond pump motor can cause serious or fatal electrical shock hazard.
- Do NOT ground to a gas supply line.
- To avoid dangerous or fatal electrical shock, turn OFF power to motor before working on electrical connections.
- Ground Fault Circuit Interrupter (GFCI) tripping indicates electrical problem. If GFCI trips and won't reset, consult electrician to inspect and repair electrical system.

▲WARNING Fire Hazard.

- Match supply voltage to motor nameplate voltage. Insure that the electrical supply available agrees with the motor's voltage, phase, and cycle, and that the wire size is adequate for the H.P. (KW) rating and distance from the power source.

MAX RATE		FULL RATE		60 HZ 1PH		
HP	KW	HP	KW	Voltage	Amps	Wire
-	-	1/2	0.37	208-230 115	10A 15A	14 AWG 14 AWG
1	0.75	3/4	0.55	208-230 115	10A 15A	14 AWG 14 AWG
1-1/2	1.10	1	0.75	208-230 115	15A 20A	14 AWG 12 AWG

NOTE: All electrical wiring MUST be performed by a licensed electrician, and MUST conform to local codes and NEC regulations. Use copper conductors only.

- Voltage:** Voltage at motor **MUST NOT** be more than 10% above or below motor name plate rated voltage, or motor may overheat, causing overload tripping and reduced component life. If voltage is less than 90% or more than 110% of rated voltage when motor is running at full load, consult Power Company.
- Grounding and Bonding:** Install, ground, bond, and wire motor in accordance with local or national electrical code requirements. Permanently ground motor. Use green ground terminal provided under motor canopy or access place; use size and type wire required by code. Connect motor ground terminal to electrical service ground. Bond motor to pool structure. Bonding will connect all metal parts within and around the pool with a continuous wire. Bonding reduces the risk of a current passing between bonded metal objects, which could potentially cause electrical shock if grounded

or shorted. **Reference NEC codes for all wiring standards including, but not limited to, grounding, bonding and general wiring procedures.** Use a solid copper conductor, size 8 or larger. Run wire from external bonding lug to reinforcing rod or mesh. Connect a No. 8 AWG (8.4 mm²) solid copper bonding wire to the pressure wire connector provided on the motor housing and to all metal parts of swimming pool, spa, or hot tub, and to all electrical equipment, metal piping (except gas piping), and conduit within 5 feet (1.5 m) of inside walls of swimming pool, spa, or hot tub.

▲WARNING All Wiring Must be Done by a Licensed Electrician.

8. **Wiring:** Pump MUST be permanently connected to circuit. If other lights or appliances are also on the same circuit, be sure to add their amp loads before calculating wire and circuit breaker sizes. Use the load circuit breaker as the Master On-Off switch. Install a Ground Fault Circuit Interrupter (GFCI) in circuit; it will sense a short-circuit to ground and disconnect power before it becomes dangerous to pool users. For size of GFCI required and test procedures for GFCI, see manufacturer's instructions. In case of a power outage, check GFCI for tripping, which will prevent normal pump operation. Reset if necessary. **NOTE: If you do not use conduit when wiring motor, be sure to seal wire opening on end of motor to prevent dirt & bugs from entering.**

CHAPTER 4: START-UP & OPERATION

PRIOR TO START-UP

NOTICE: If it is necessary to perform a pressure test prior to initial use to ensure pump is functioning properly, then the following criteria should be maintained for this test:

1. Have a professional perform this test.
2. Ensure all pump and system components are sealed properly to prevent leaks.
3. Remove any trapped air in the system by fully opening filter manual air relief valve until a steady stream of water is discharged.
4. Allow no more than 40 psi (276 kPa) at a water temperature no higher than 100°F (38°C).
5. Run pressure test for no longer than 24 hours. Immediately inspect all parts to verify they are intact and functioning properly. Fill strainer housing with water to suction pipe level. **NEVER OPERATE THE PUMP WITHOUT WATER.** Water acts as a coolant and lubricant for the mechanical shaft seal.

▲WARNING If pump is being pressure tested (40 psi MAXIMUM), be sure pressure has been released, using the filter manual air relief valve, before removing strainer cover.

▲CAUTION NEVER run pump dry. Running pump dry may damage seals, causing leakage, flooding, and voids warranty. Fill strainer housing with water before starting motor.

6. Do NOT add chemicals to pool/spa system directly in front of pump suction. Adding undiluted chemicals may damage pump and voids warranty.
7. Before removing strainer cover:
 1. **STOP PUMP** before proceeding.
 2. **CLOSE VALVES** in suction and outlet pipes.
 3. **RELEASE ALL PRESSURE** from pump and piping system using filter manual air relief valve. See filter owner's manual for more detail.

PRIMING PUMP

▲CAUTION All suction and discharge valves MUST be OPEN, as well as filter air relief valve (if available) on filter, when starting the circulating pump system. Failure to do so could result in severe personal injury.

1. Release all pressure from filter, pump, and piping system. **See filter owner's manual.**
2. If water source is higher than the pump, pump will prime itself when suction and outlet valves are opened. If water source is lower than the pump, unscrew and remove strainer cover, fill strainer housing with water.
3. Clean and lubricate strainer cover O-ring each time it is removed. Inspect O-ring and re-install on strainer cover.
4. Replace strainer cover on strainer housing, turn clockwise to tighten cover.

NOTE: Tighten strainer cover by hand only (no wrenches).

▲CAUTION Turn on power and wait for pump to prime, which may take up to five minutes. Priming time will depend on vertical length of suction lift and horizontal length of suction pipe. If pump does NOT prime within five minutes, stop motor and determine cause. Be sure all suction and discharge valves are open when pump is running. See Troubleshooting Guide. Wait five seconds before re-starting pump. Failure to do so may cause reverse rotation of motor and consequent serious pump damage. Close filter manual air relief valve after pump is primed.

CHAPTER 5: MAINTENANCE

- Clean strainer basket regularly. Do NOT strike basket to clean. Inspect strainer cover gasket regularly and replace as necessary.
- Pumps have self-lubricating motor bearings and shaft seals. No lubrication is necessary.
- Keep motor clean. Insure air vents are free from obstruction to avoid damage. Do NOT use water to hose off motor.
- Occasionally, shaft seals must be replaced, due to wear or damage. See 'Shaft Seal Change Instructions' in this manual.

CHAPTER 6: STORAGE/WINTERIZATION

▲ WARNING Separation Hazard.

1. Do not purge the system with compressed air. Purging the system with compressed air can cause components to explode, with risk of severe injury or death to anyone nearby. Use only a low pressure (below 5 psi), high volume blower when air purging the pump, filter, or piping.
2. Allowing the pump to freeze will void the warranty.
3. Use ONLY propylene glycol as antifreeze in your pool/spa system. Propylene glycol is nontoxic and will not damage plastic system components; other anti-freezes are highly toxic and may damage plastic components in the system.
4. Drain all water from pump and piping when expecting freezing temperatures or when storing pump for a long time (see instructions below).
5. Keep motor dry and covered during storage. To avoid condensation/corrosion problems, do NOT cover or wrap pump with plastic film or bags.

Storing Pump For Winterization

▲ WARNING To avoid dangerous or fatal electrical shock hazard, turn OFF power to motor before draining pump. Failure to disconnect power may result in serious personal injury or death.

1. Drain water level below all inlets to the pool.
2. Remove drain plugs from bottom of strainer body, and remove strainer cover from strainer housing.
3. Disconnect pump from mounting pad, wiring system (after power has been turned OFF), and piping system.
4. Once the pump is removed of water, re-install the strainer cover and drain plugs. Store pump in a dry area.

Shaft Seal Change Instructions

IMPORTANT SAFETY INSTRUCTIONS, PLEASE READ AND FOLLOW ALL INSTRUCTIONS.

Modifications done to the pumps will void the warranty.

When servicing electrical equipment, basic safety precautions should always be observed including the following. Failure to follow instructions may result in injury.

- A. To reduce risk of injury, do not permit children to use this product.
- B. Disconnect all electrical power service to pump before beginning shaft seal replacement.
- C. Only qualified personnel should attempt rotary seal replacement. Contact your local authorized Dealer or service center if you have any questions.
- D. The National Electrical Code requires either a three foot maximum twist-lock cord set with a GFCI protected receptacle (may be required and sold at your local hardware store) or hard wire (conduit) connection for swimming pool pump installation. Do not use extension cords.
- E. Exercise extreme care in handling both the rotating and the stationary sections of the two-part replacement seal. Foreign matter or improper handling will easily scratch the graphite and ceramic sealing surfaces.

CHAPTER 7: TROUBLESHOOTING

A. Motor Will NOT Start – Check For:

Make sure the terminal board connections agree with the wiring diagram on motor data plate label. Be sure motor is wired for available field supply voltage (see pump operating label).

1. Improper or loose wiring connections; open switches or relays; tripped circuit breakers, GFCIs, or blown fuses.

Solution: Check all connections, circuit breakers, and fuses. Reset tripped breakers or replace blown fuses.

2. Manually check rotation of motor shaft for free movement and lack of obstruction.

Solution: Refer to 'Shaft Seal Change Instructions' in this manual.

3. If you have a timer, be certain it is working properly. Bypass it if necessary.

B. Motor Shuts OFF – Check For:

1. Low voltage at motor or power drop (frequently caused by undersized wiring or extension cord use).

Solution: Contact qualified professional to check that the wiring gauge is heavy enough. **NOTE:** Your pump motor is equipped with an 'automatic thermal overload protector.' The motor will automatically shut off if power supply drops before heat damage can build up causing windings to burn out. The 'thermal overload protector' will allow the motor to automatically restart once the motor has cooled. It will continue to cut On/Off until the problem is corrected.

Be sure to correct cause of overheating.

C. Motor Hums, But Does NOT Start – Check For:

- 1. Impeller jammed with debris.
Solution: Have a qualified repair professional open the pump and remove the debris.

D. Pump Won't Prime, Check For:

- 1. Empty pump/strainer housing.
Solution: Make sure pump/strainer housing is filled with water and cover O-Ring is clean. Ensure O-Ring is properly seated in the cover O-Ring groove. Ensure O-ring is lubricated and that strainer cover is locked firmly in position. Lubricant will help to create a tighter seal.

- 2. Loose connections on suction side.
Solution: Tighten pipe/union connections. **NOTE:** Any self-priming pump will not prime if there are suction air leaks. Leaks will result in bubbles emanating from return fittings on pool wall.

- 3. Leaking O-ring or packing glands on valves.
Solution: Tighten, repair, or replace valves.

- 4. Strainer basket or skimmer basket loaded with debris.
Solution: Remove strainer housing cover or skimmer cover, clean basket, and refill strainer housing with water. Tighten cover.

- 5. Suction side clogged.
Solution: Contact a qualified repair professional. Block off to determine if pump will develop a vacuum. You should have 5 in. to 6 in. of vacuum at the strainer cover (**Only your pool dealer can confirm this with a vacuum gauge**). You may be able to check by removing the skimmer basket and holding your hand over the bottom port with skimmer full and pump running. If no suction is felt, check for line blockage.

- a. If pump develops a vacuum, check for blocked suction line or dirty strainer basket. An air leak in the suction piping may be the cause.
- b. If pump does not develop a vacuum and pump has sufficient "priming water":
 - i. Re-check strainer housing cover and all threaded connections for suction leaks. Check if all system hose clamps are tight.
 - ii. Check voltage to ensure that the motor is rotating at full RPM's.
 - iii. Open housing cover and check for clogging or obstruction in suction. Check impeller for debris.
 - iv. Remove and replace shaft seal only if it is leaking.

- 3. Plugged or restricted discharge line of filter, valve partially closed (high gauge reading).
Solution: Sand Filters: backwash as per manufacturer's instructions; D.E. Filters: backwash as per manufacturer's instructions; Cartridge Filters: clean or replace cartridge.

- 4. Air leak in suction (bubbles issuing from return fittings).
Solution: Re-tighten suction and discharge connections using Teflon tape. Inspect other plumbing connections and tighten as required.

- 5. Plugged, restricted, or damaged impeller.
Solution: Replace including new seal assembly.

E. Low Flow – Generally, Check For:

- 1. Clogged or restricted strainer or suction line.
Solution: Contact a qualified repair professional.
- 2. Undersized pool piping.
Solution: Correct piping size.

- 3. Plugged or restricted discharge line of filter, valve partially closed (high gauge reading).

- 4. Air leak in suction (bubbles issuing from return fittings).
Solution: Re-tighten suction and discharge connections using Teflon tape. Inspect other plumbing connections and tighten as required.

- 5. Plugged, restricted, or damaged impeller.
Solution: Replace including new seal assembly.

F. Noisy Pump – Check For:

- 1. Air leak in suction piping, cavitations caused by restricted or undersized suction line or leak at any joint, low water level in pool, and unrestricted discharge return lines.
Solution: Correct suction condition or throttle return lines, if practical. Holding hand over return fitting will sometimes prove this point or putting in a smaller eyeball fitting.

- 2. Vibration due to improper mounting.
Solution: Mount the pump on a level surface and secure the pump to the equipment pad.

- 3. Foreign matter in pump housing. Loose stones/debris hitting impeller could be cause.
Solution: Clean the pump housing.

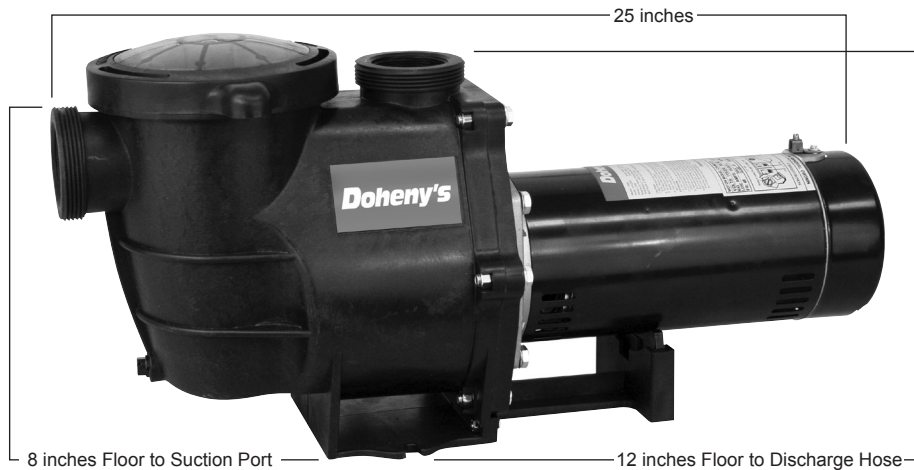
- 4. Motor bearings noisy from normal wear, rust, overheating, or concentration of chemicals causing seal damage which will allow chlorinated water to seep into bearings, wiping out the grease and causing bearing to whine.
Solution: All seal leaks should be replaced at once.

CHAPTER 8: TECHNICAL DATA

Pump performance table

ITEM#	HP	VOLT	AMPS	MAX (GPM)	MAX HEAD (ft)
2601	3/4	115	7.3	62	30
6578	1	115	9	75	38
6579	1.5	115	12	83	40
2716	1	115/230	11.5/5.7	83	15
6589	1.5	115/230	14.2/7.1	97	20
4657	1	115	11.5	82	50
5014	1.5	115	15	95	68
7811	1	115	9	75	38
7812	1.5	115	12	83	40

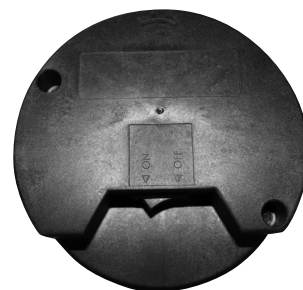
In-ground Pump Item #s 2716 & 6589



Above Ground Pump Item #s 2601, 6578 & 6579



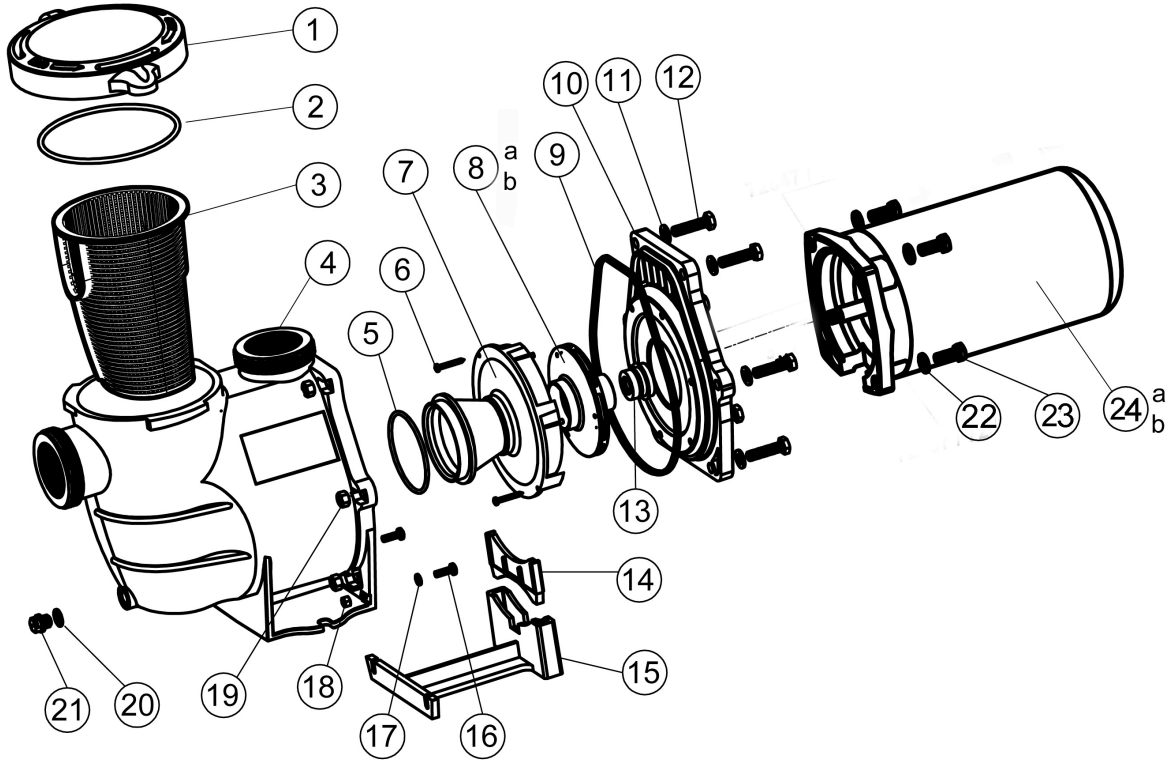
Above Ground On/Off Pump Option Item #s 7811 & 7812



Above Ground Deluxe Pump Item #s 4657 & 5014

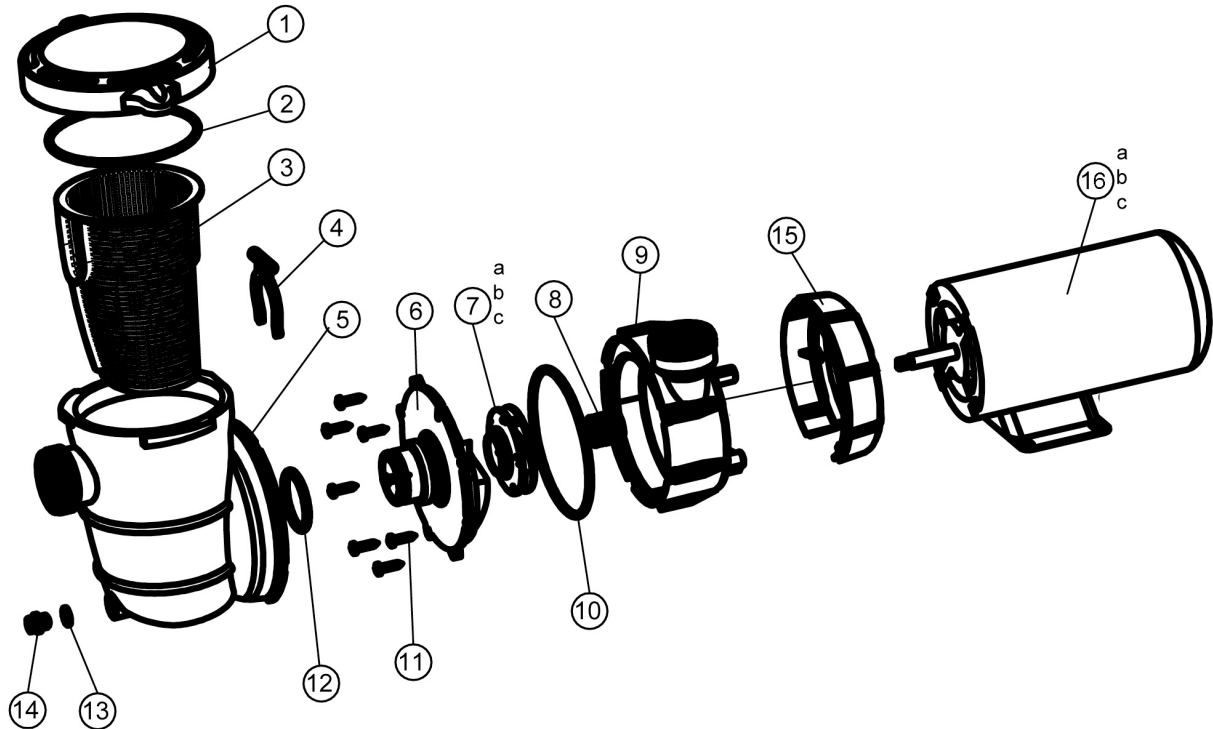


In-ground Pump Item #'s 2716 & 6589



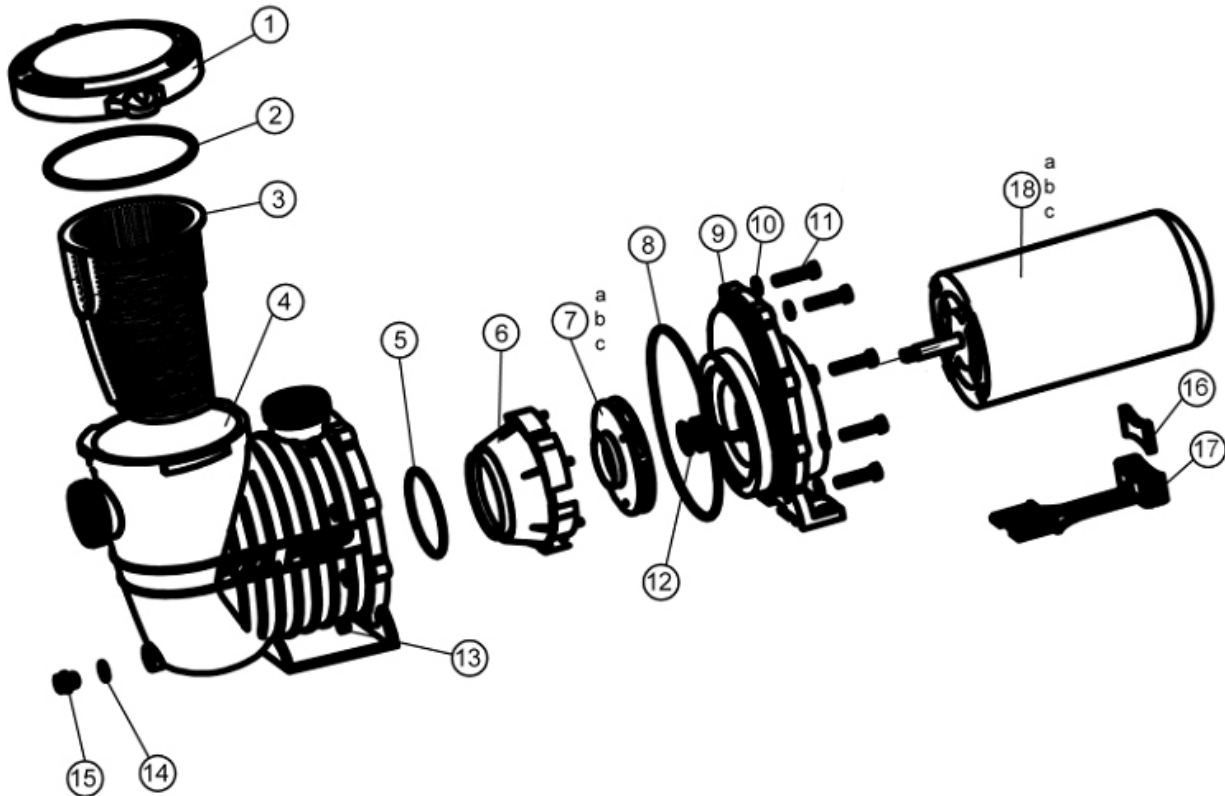
REF No.	PART NUMBER	DESCRIPTION	No. REQ'D
1	16578	Clear Cover	1
2	26578	Lid O-Ring	1
3	36578	Pump Basket	1
4	76578	Pump Housing	1
5	86578	O-Ring	1
6	96578	Screw ST4.2x38	2
7	106578	Diffuser	1
8a	116578	Impeller for 1 HP Pump (2716)	1
8b	126578	Impeller for 1.5 HP Pump (6589)	1
9	136578	O-Ring	1
10	146578	Pump Cover	1
11	156578	Gasket M10	6
12	166578	Screw 3/8-16 1-1/2 UNC	6
13	176578	Seal Assembly	1
14	186578	Supporting Foot	1
15	196578	Mounting Foot	1
16	206578	Screw M6x20	2
17	216578	Gasket M6	2
18	226578	Nut M6	2
19	236578	Nut 3/8-16	6
20	56578	Drain Gasket	1
21	66578	Drain Plug	1
22	246578	Gasket M10	4
23	256578	Screw M10x25	4
24a	266578	1 HP Motor for 2716	1
24b	276578	1.5 HP Motor for 6589	1

Above Ground Pump Item #'s 2601, 6578 & 6579



REF No.	PART NUMBER	DESCRIPTION	No. REQ'D
1	16578	Clear Cover	1
2	26578	Lid O-Ring	1
3	36578	Pump Basket	1
4	46578	Retainer Clip	1
5	286578	Strainer Housing	1
6	296578	Pump Cover	1
7a	306578	Impeller for 3/4 HP Pump (2601)	1
7b	316578	Impeller for 1 HP Pump (6578)	1
7c	326578	Impeller for 1.5 HP Pump (6579)	1
8	336578	Seal Assembly	1
9	346578	Pump Housing	1
10	356578	O-Ring	1
11	366578	Screw ST5.5x25	8
12	376578	O-Ring	1
13	56578	Drain Gasket	1
14	66578	Drain Plug	1
15	386578	Motor Mounting Plate	1
16a	396578	3/4 HP Motor for 2601	1
16b	406578	1 HP Motor for 6578	1
16c	416578	1.5 HP Motor for 6579	1

Above Ground Pump Item #'s 4657 & 5014



REF No.	PART NUMBER	DESCRIPTION	No. REQ'D
1	647252772000	Clear Cover	1
2	65431042080	Lid O-Ring	1
3	647252704001	Pump Basket	1
4	647254201080	Pump Housing	1
5	65431032080	O-Ring	1
6	647254203080	Diffuser	1
7b	647274371000	Impeller for 1 HP Pump (4657)	1
7c	647254271000	Impeller for 1.5 HP Pump (5014)	1
8	65431075080	O-Ring	1
9	647254202080	Pump Cover	1
10	65244005000	Gasket M8	8
11	65221009000	Screw M8X40	8
12	65028003000	Seal Assembly	1
13	65231004106	Nut M8	8
14	65432002080	Gasket	1
15	648860105080	Drain Plug	1
16	647254205080	Foot Insert	1
17	647254204080	Mounting Foot	1
18b	65023020000	1 HP Motor for 4657	1
18c	65023021000	1.5 HP Motor for 5014	1

1 Year Limited Doheny's Pool Pump Warranty

Please read installation instructions before installing pool pump

This pump was inspected before shipment from our warehouse. To original purchasers of this pump, Doheny Enterprises, Inc., 6950 51st Street, Kenosha, Wisconsin, warrants its products free from defects in materials and workmanship for a period of **ONE** (1) year from the date of purchase.

Parts which fail or become defective during the warranty period, except as a result of freezing, negligence, improper installation, use, or care, shall be replaced, at our option, without charge, within 90 days of the receipt of defective product, barring unforeseen delays.

After 90 days, to obtain warranty replacements, defective components should be returned, transportation paid, to the place of purchase. For further Doheny's service, contact Doheny's customer care department. No returns may be made directly to the factory without the express written authorization of Doheny Enterprises, Inc.

To original purchasers of this pump, Doheny Enterprises, Inc. warrants its pump housing/strainer to be free from defects in materials and workmanship for a period of **ONE** (1) year from the date of purchase.

Strainers which become defective during the warranty period, except as a result of freezing, negligence, improper installation, use or care, or as the result of a use in association with an automatic valving system.

All other conditions and terms of the standard warranty apply.

Doheny shall not be responsible for cartage, removal and/or reinstallation labor or any other such costs incurred in obtaining warranty replacements.

The Doheny Enterprises, Inc. warranty does not apply to components manufactured by others. For such products, the warranty established by the respective manufacturer will apply.

Some states do not allow a limitation on how long an implied warranty lasts, or the exclusion or limitation of incidental or consequential damages, so the above limitation or exclusion may not apply to you.

This warranty gives you specific legal rights, and you may also have other rights, which vary from state to state.

General Maintenance

1. Clean strainer basket regularly. Do NOT strike basket to clean. Inspect strainer cover gasket regularly and replace as necessary.
2. Pumps have self-lubricating motor bearings and shaft seals. No lubrication is necessary.
3. Keep motor clean. Ensure air vents are free from obstruction to avoid damage. Do NOT use water to hose off motor.
4. Occasionally, shaft seals must be replaced, due to wear or damage.

Storage/Winterization

1. Do not purge the system with compressed air. Use only a low pressure (below 5 psi), high volume blower when air purging the pump, filter or piping.
2. Allowing the pump to freeze will void the warranty.
3. Use ONLY propylene glycol as antifreeze in your pool/spa system.
4. Drain all water from pump and piping when expecting freezing temperatures or when storing pump for a long time.
5. Keep motor dry and covered during storage. To avoid condensation/corrosion problems, do NOT cover or wrap pump with plastic film or bags.