



# ZODIAC

BARACUDA  
**X7**<sup>®</sup>  
quattro

## OWNER'S MANUAL



**WARNING:** In terms of Section 2 of the Import and Export Control Act of 1989 (Act 45 of 1983), it is illegal to export Automatic Pool Cleaners and parts thereof. Section 4 of the Act provides that anyone convicted of exporting Automatic Pool Cleaners and parts thereof may be sentenced to a 10 (ten) year term of imprisonment and a fine of R40 000 (forty thousand Rand).







## SECTION 9 – GETTING TO KNOW YOU BETTER

At ZODIAC, we strive to give our consumers superior quality products as well as service excellence. To help us improve please spare a moment of your time and let us understand your needs a little better. Once you have filled in the following survey please fax a copy to (011) 314 3486.

Title:.....

Name & Surname:.....

Email Address:.....

Are you male or female? .....

Date of birth:.....

How long have you owned your current pool? .....

Do you own any other ZODIAC products? .....

If so, which ones? .....

Which of our products would you like to own? .....

Describe how you feel about owning a pool (love it / hate it)? .....

Why did you choose to purchase a ZODIAC product?.....

Why did you choose to purchase your BARACUDA X7 QUATTRO®? .....

Have you ever called our Call Centre?.....

If so, please rate it on a scale of 1 - 5

1.  (extremely poor)

4.  (good)

2.  (poor)

5.  (extremely good)

3.  (acceptable)

Would you like to register for Aquasense, our monthly communication filled with information, tips and trends on pool care? (If yes, please fill in email address above).

## SECTION I – INSTALLATION

### STEP 1: Preparing your pool and filtration system

#### IMPORTANT

The filtration system must be operating at its MAXIMUM WATER FLOW before you install your BARACUDA X7 QUATTRO®, otherwise you will have to re-adjust it after cleaning the pool filter.

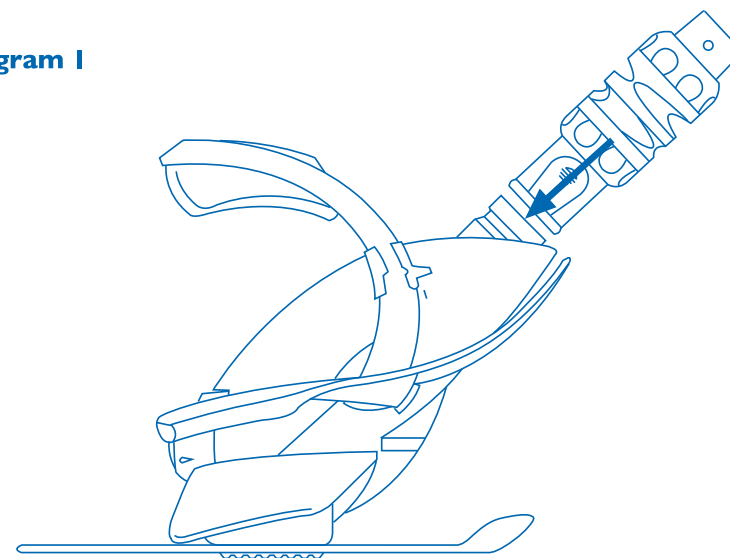
Installation is easy if you follow these simple preliminary steps:

1. **Empty** the weir basket.
2. **Clean** the pump basket.
3. **Backwash** the filter until the sight glass is clear.
4. **Adjust** all return jets (whether your pool has one, two, or more) to point downwards and towards each other so that you DO NOT see a circular water flow or ripples on the surface of your pool.

### STEP 2: Assembling your BARACUDA X7 QUATTRO®

1. Attach the Flexi Hose to the cleaner head as shown in Diagram I. (To remove the Flexi Hose, simply press the tabs and pull it away from the cleaner head).

Diagram I



## SECTION I – INSTALLATION

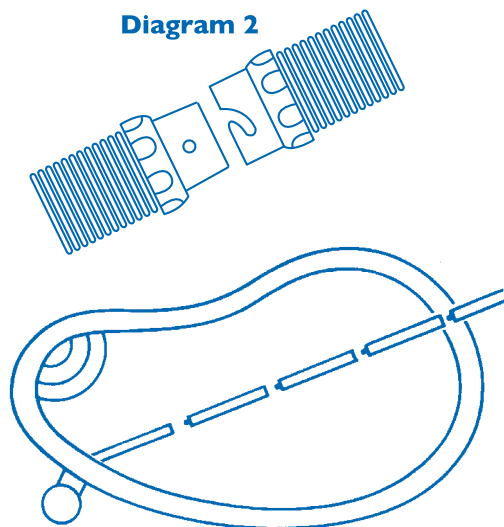
### STEP 3: Assembling the Hoses

1. Insert the male hose cuff into the female cuff (Diagram 2) and ensure that the Twist Lock mechanism is fully locked into place. The ideal length of hose is from the weir to the furthest point of the pool plus one extra section of hose.

If the weir is opposite the steps, use lowest step as furthest point (Diagrams 3 and 4).

Only ZODIAC Twist Lock Hoses are compatible with your BARACUDA X7 QUATTRO®.

Diagram 2



2. Attach the Flexi Hose on your BARACUDA X7 QUATTRO® to the female end of hoses ensuring the Twist Lock mechanism is fully locked into place.

Diagram 3: Ideal hose length

3. Fit the Hose Protector (see Page 5).

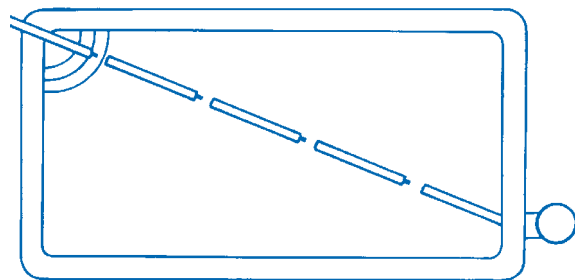


Diagram 4: Ideal hose length

4. Bleed all the air from the hose by placing one end over the return jet – thus filling the hose length with water.
5. Keeping the hose-ends underwater, move the hose from the return line to the weir and connect the male cuff directly to the Auto Weir Valve 90° Elbow, by attaching the male hose cuff to the elbow and ensuring the Twist Lock mechanism is fully locked into place, or by pushing the male cuff over the 90° Elbow, (depending on the Elbow supplied).
6. Ensure that the Auto Weir Valve is firmly attached to the weir vacuum lid.

## SECTION 8 – THE PERFECT PARTNERS FOR YOUR BARACUDA X7 QUATTRO®

### A Clearwater Salt Chlorinator from ZODIAC.

Installing a Clearwater Salt Chlorinator in conjunction with having a BARACUDA X7 QUATTRO® is the effortless way to having a crystal clear pool all the time.

Clearwater Salt Chlorinators offer both convenience and peace of mind. Clearwater technology means that you are assured of quality and product excellence. ZODIAC is by far the most widely chosen brand of Chlorinator available in South Africa today.

Your purchase will ensure that you get the best of all worlds. Firstly, you will enjoy the convenience of a fully automatic product, which allows you to spend time relaxing at the poolside. Perfect for a modern-day lifestyle. You will also experience the fantastic soft feeling that only a salt chlorinated pool can offer.

No more red eyes or itchy skin, just smiles all the way!

### A PowerPac Heat Pump from ZODIAC.

Extend your swimming season and get even more pleasure from your pool by installing a PowerPac Heat Pump.

This market leading range of Heat Pumps from Zodiac utilizes only the best components and materials, ensuring you total peace of mind and enjoyment of your pool.

PowerPac is not only the most energy efficient range of Heat Pumps available today, but also the most environmentally friendly.

To find out which model and size fits your pool, contact your local ZODIAC dealer, or call the ZODIAC Customer Care Helpline 0860 ZODIAC (0860 963 422) or go to [www.zodiac.co.za](http://www.zodiac.co.za).

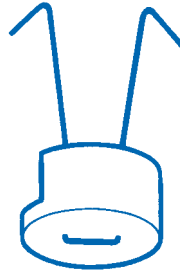
## 1. WEIR ADAPTOR

Fits suction inlets from 40 to 60mm.



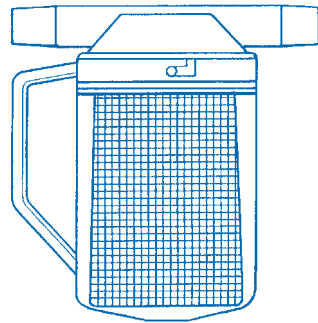
## 3. AIM FLOW DIVERTOR

To allow Pool Cleaner to clean close to return flow.



## 4. IN-LINE LEAF EATER™

An in-line filter which collects all leaves, seeds, twigs and grit before they reach the weir. Connects in-line with the hoses.

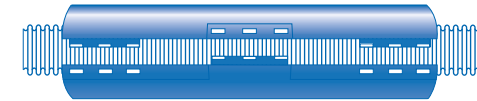


## Step 4: Assembling the Hose Protector

1. Place the hose into one half of the Hose Protector.



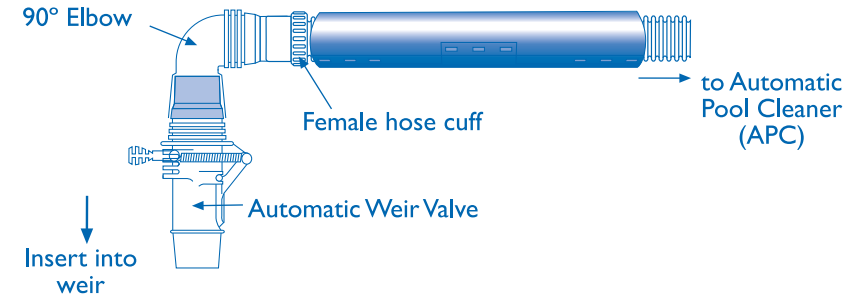
2. Place the other half of the Hose Protector over the hose ensuring that the male clips line up with the female clips.



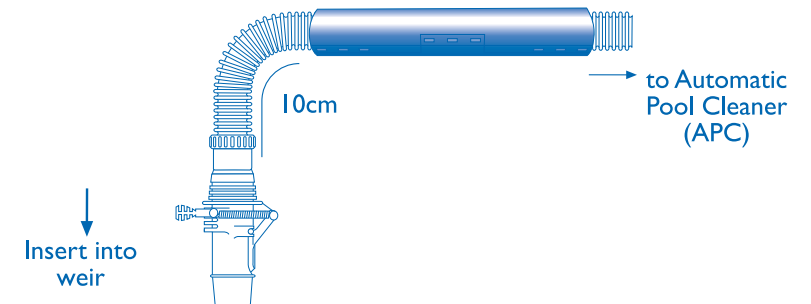
3. Apply pressure to both halves of the Hose Protector until both pieces clip into place.

## STEP 5: Positioning of the Hose Protector

The ideal position to fit the Hose Protector is directly after the hose cuff.



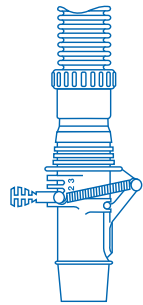
**Note:** If the hose is connected directly to the Automatic Weir Valve (not advised), position the Hose Protector approximately 10cm from the hose cuff.



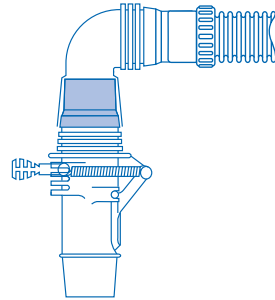
**IMPORTANT:** Please note that the Hose Protector must be fitted to the section of the hose connected to the 90° Elbow or Automatic Weir Valve (i.e furthest away from the APC).

## AUTO WEIR VALVE

The ZODIAC Auto Weir Valve is preset at the factory to obtain maximum pool cleaning efficiency. Your BARACUDA X7 QUATTRO® is preset on setting 2. However, if you do experience difficulties, it can be manually adjusted to one of the three settings (high, medium or low – see Adjustment Settings below).



**NOTE:** To obtain maximum Diaphragm efficiency, please ensure a genuine ZODIAC Auto Weir Valve is used.

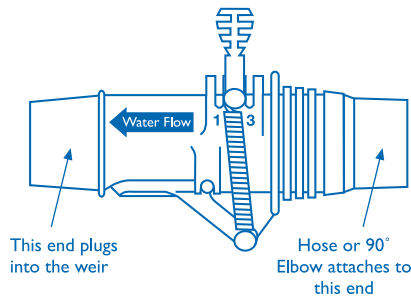


## ADJUSTMENT SUGGESTIONS

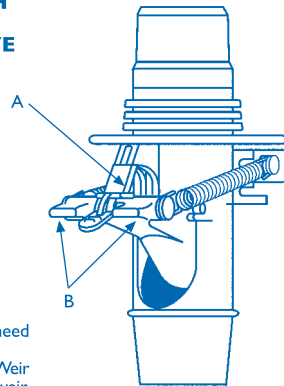
You will only need to adjust the Auto Weir Valve if the following occurs:

PROBLEM	SOLUTION
Your BARACUDA X7 QUATTRO® Pool Cleaner is performing too fast and/or climbing above the level of the water.	Reduce Auto Weir Valve to medium or low setting
Your BARACUDA X7 QUATTRO® Pool Cleaner is performing slowly and/or not climbing the pool walls.	Increase Auto Weir Valve to medium or high setting

1. Low Setting      2. Medium Setting      3. High Setting



## TURNING YOUR BARACUDA X7 QUATTRO® OFF IS MADE EASY WITH THE AUTO WEIR VALVE



You no longer need to remove the ZODIAC Auto Weir Valve from the weir.

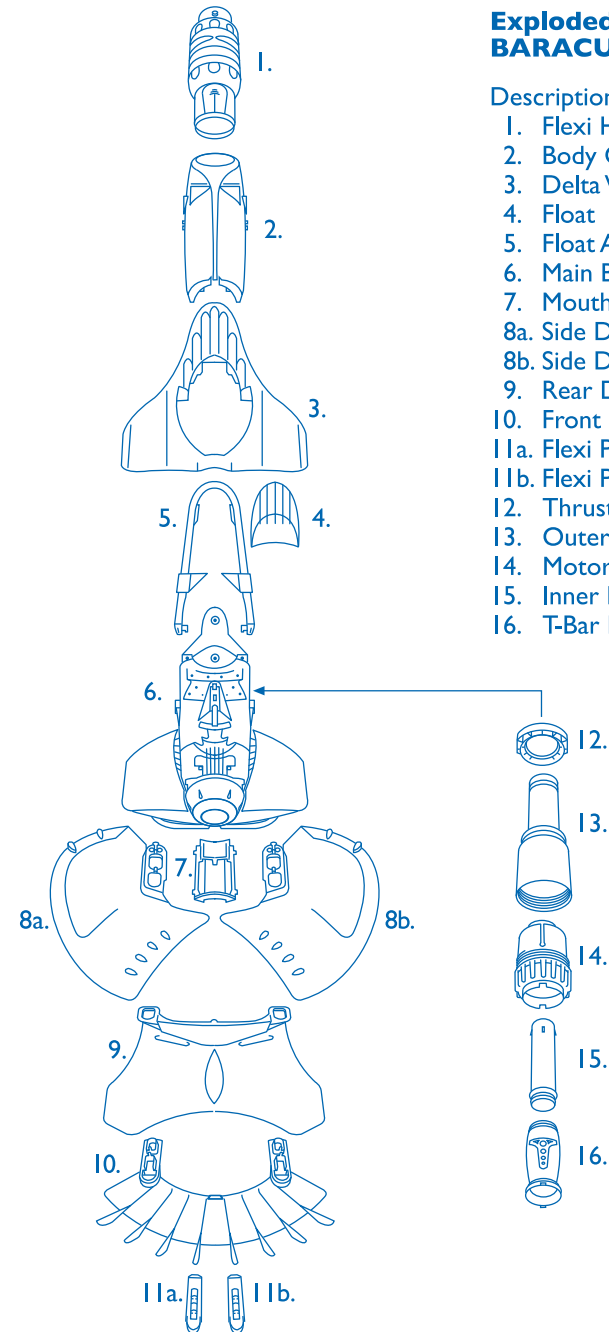
Simply depress the red pivoted arm (A), until it locks open the flow door.

To recommence Pool Cleaner operation, release the pivoted arm (A) by pressing down on the flow door (B). It's that simple!

## Exploded Diagram – BARACUDA X7 QUATTRO®

### Description

1. Flexi Hose
2. Body Cover
3. Delta Wing
4. Float
5. Float Arm
6. Main Body
7. Mouth Guard
- 8a. Side Disc
- 8b. Side Disc
9. Rear Disc
10. Front Disc
- 11a. Flexi Pad
- 11b. Flexi Pad
12. Thrust Washer
13. Outer Extension Pipe
14. Motor Housing
15. Inner Extension Pipe
16. T-Bar Diaphragm



PROBLEMS	CHECKS	SOLUTIONS
Your BARACUDA X7 QUATTRO® does not reach the shallow end of the pool or moves in a fixed pattern.	Is the hose long enough?	Add more sections of hose.
	Is the hose affected by the return flow?	Adjust the return outlet towards the bottom of the pool to make sure that the jet of water does not influence the direction of the BARACUDA X7 QUATTRO® Hose.
	Are the Hose Lengths straight?	Make sure that the hose lengths are in good condition. Never roll up/coil hoses.
Your BARACUDA X7 QUATTRO® climbs above the water level.  Your BARACUDA X7 QUATTRO® does not climb the walls easily.	Is there too much suction?  Is there sufficient suction?	Check that the Auto Weir Valve is not blocked by leaves and preventing the water from flowing through the Auto Weir Valve.  Adjust Auto Weir Valve setting (Refer to correct settings page 6)  Make sure the filter is clean.  Adjust Auto Weir Valve setting (Refer to correct settings page 6)
Your BARACUDA X7 QUATTRO® falls on its side.	Is the float damaged?  Is the Motor Assembly swivelling freely?	Return to your nearest Pool Store for checking.  Remove Motor Assembly unit from main body and rinse both to flush out debris.

CUSTOMER CARE HELPLINE 0860 ZODIAC (0860 963 422)  
www.zodiac.co.za

## ADJUSTMENT SUGGESTIONS CORRECT BALANCING

Proper balancing must be accomplished in the DEEPEST area of the pool. The buoyancy of the hose tends to LIFT the BARACUDA X7 QUATTRO®, especially in deeper water. The hose weight is utilized to help neutralize the buoyant effect of the hose. The C-Clip Hose Weight simply presses onto the hose.

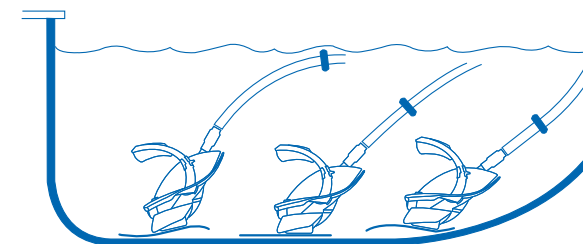


Diagram 7: Positioning of the Hose Weight

## POOL COVERAGE

Normally it is undesirable for the return line water flow to affect the natural movement of your ZODIAC Hose. However, the return line pressure can be used to balance cleaning coverage or to guide the cleaner away from steps and corners.

A return line located anywhere along the shaded area can be utilised to gently push the hose, allowing your BARACUDA X7 QUATTRO® to free itself from in-pool obstacles (Diagram 8).

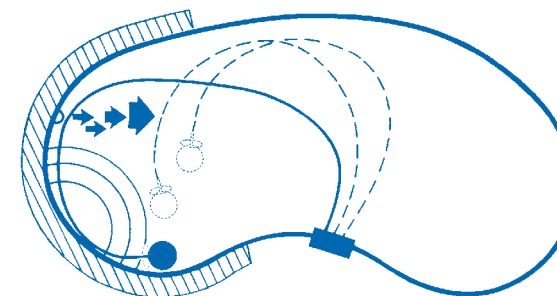


Diagram 8

## SECTION 3 – QUICK RELEASE MOTOR ASSEMBLY

The BARACUDA X7 QUATTRO® has a Long-Life Diaphragm and a Quick Release Motor Assembly. This unique feature allows almost instantaneous access to the Diaphragm.

Large foreign objects, such as children’s toys, tree branches and rocks, should be removed manually from your pool prior to operating an Automatic Pool Cleaner. In the event of a blockage occurring, the Quick Release Motor Assembly allows you the opportunity to remove the blockage or check the Diaphragm for damage in seconds at the poolside.

The Quick Release Motor Assembly also allows you to reset the Diaphragm which may also resolve performance problems such as running and stopping, coverage problems and/or your BARACUDA X7 QUATTRO® not climbing the pool walls.

### Step 1: Procedure to Remove Diaphragm.

Unlock the two clips on the Float Arm, by pushing them up and then fold the Arms downwards (Diagram 1).

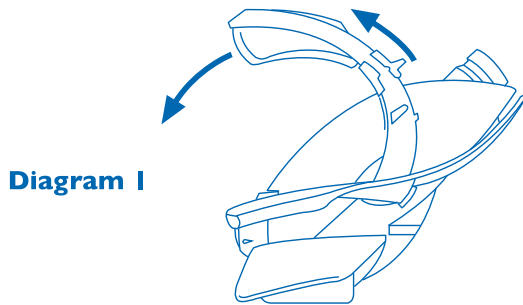


Diagram 1

Remove the Body Cover and lift out the Motor Assembly. Slide off the Thrust Washer (Diagram 2).

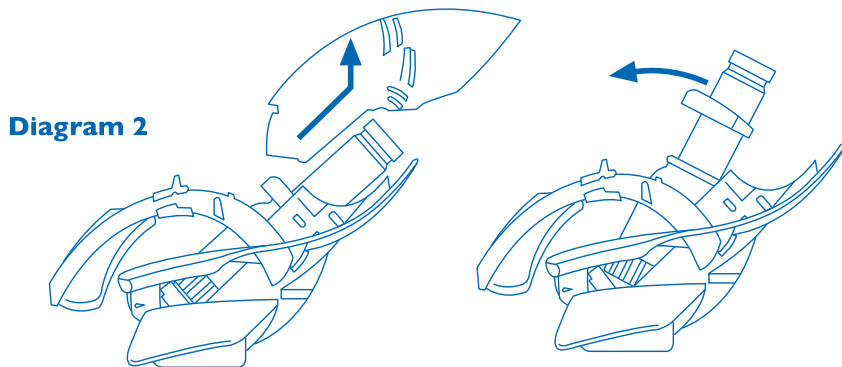


Diagram 2

## SECTION 5 – PROBLEM SOLVING

PROBLEMS	CHECKS	SOLUTIONS
Your BARACUDA X7 QUATTRO® works slowly, runs then stops, or not at all.	Is the filter clean?	Backwash and rinse the filter thoroughly.
	Are the baskets clean?	Remove baskets, clean thoroughly (Baskets must be in good condition).
	Is the vacuum lid sitting flush in the weir?	Remove and re-install.
	Is the vacuum lid damaged?	Replace vacuum lid.
	Are the Auto Weir Valve and the hose secure?	Make sure that the connections are sealed.
	Is the Diaphragm operational or does it need adjusting?	Refer Section 3 (Quick Release Motor Assembly page 11).
Your BARACUDA X7 QUATTRO® is working slowly and air bubbles are noticeable at the return jet.	Is there a leak in the system?	Possible problem areas: • Possible leak at pump lid • Check the pump lid O-ring. • Possible leak in the hose.
	Is the Auto Weir Valve below water level?	Check level of water.
Your BARACUDA X7 QUATTRO® is sticking in corners or at the steps.	Check Hose Length (Refer Section 1, page 4).	Use the return flow jet to push hose away from steps. (Refer to “Pool Coverage” page 7).  Shorten the hose so that it does not reach the steps.

## SECTION 4 – HOW TO KEEP YOUR BARACUDA X7 QUATTRO® OPERATING EFFICIENTLY

As a pool accessory connected to the suction line, your BARACUDA X7 QUATTRO® relies on the filtration system in order to operate efficiently and effectively. Follow these simple maintenance tips:

1. The Weir basket, pump basket, cartridge filter, sand filter (whichever is applicable) should be thoroughly cleaned on a regular basis to ensure optimum Pool Cleaner efficiency.  
**N.B. ALWAYS disconnect the hose from the weir or vacuum line BEFORE backwashing your filter.**
2. Always store your ZODIAC Long Life Twist Lock Hoses in a straight line – never coil or leave hose coiled in the sun.
3. Periodically inspect parts for wear. The Quattro Disc assembly, including Foot Pads, and the Flexi Hose are most critical.
4. In the event of an object becoming stuck in the Diaphragm, clear it quickly and easily by following the simple instructions laid out for Diaphragm maintenance under Section 3 – Quick Release Motor Assembly.
5. To maintain optimum performance from your BARACUDA X7 QUATTRO®, we recommend that your Motor Assembly Diaphragm is reset when required. (Section 3 – Quick Release Motor Assembly, page 11, step 5.)

### IMPORTANT

Sunlight (UV rays), pool chemicals and other harsh conditions can take their toll on your BARACUDA X7 QUATTRO® and other pool accessories.

### pH is Very Important

pH is a simple numerical scale which indicates the acid/alkaline balance of water. A pH value of 7.0 denotes neutrality, i.e. neither acid nor alkaline. High pH values (above 7.0) denote alkaline conditions and low pH values (below 7.0) denote acidic conditions.

### To extend the lifespan of your APC:

1. Ensure that your pH is between 7.0 and 7.6\* at all times as recommended. pH levels higher or lower than the recommended levels are detrimental to most types of plastics and rubbers and will seriously damage your BARACUDA X7 QUATTRO®.
2. Remove your BARACUDA X7 QUATTRO® from the pool before chemical shock treatment and only reinstall it after a minimum of four hours.
3. Follow these recommended water balance levels:\*

Chlorine: 1.0 – 2.0ppm    pH Levels: 7.0 – 7.6    Total Alkalinity: 80 – 120ppm

\* Values may vary within their ranges, depending on pool surface i.e. concrete, fibreglass or vinyl.

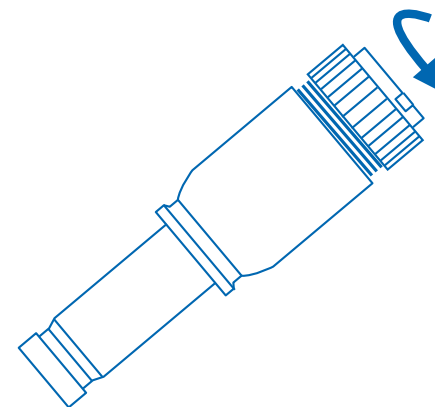
**NOTE:** Due to the harsh environment in which your Pool Cleaner operates, your BARACUDA X7 QUATTRO® may discolour during normal use over a period of time. This will not affect the cleaning performance of your unit.

## SECTION 3 – QUICK RELEASE MOTOR ASSEMBLY

### Step 2: Removal of Diaphragm

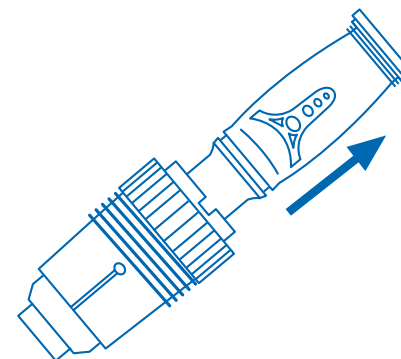
Unscrew the Extension pipe from the Motor Housing +/- 4 turns anti-clockwise (Diagram 3).

Diagram 3



Push the Inner Extension pipe and diaphragm out the front side of the Motor Housing (Diagram 4).

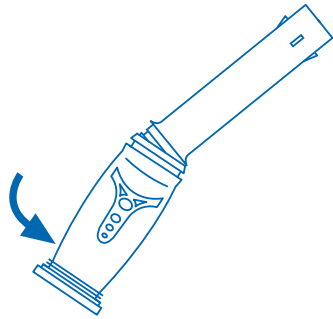
Diagram 4



## SECTION 3 – QUICK RELEASE MOTOR ASSEMBLY

Remove the Diaphragm from the Inner Extension Pipe (Diagram 5).

Diagram 5



### Step 3: Examination

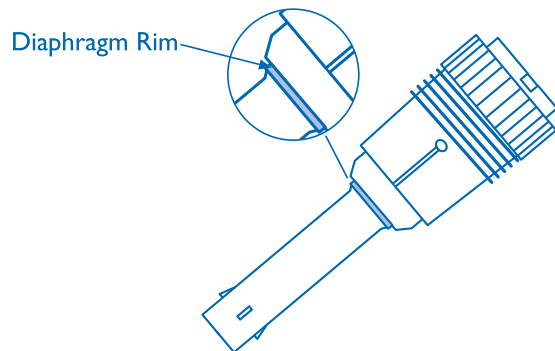
Inspect the Diaphragm for a blockage or any damage. Even small holes will compromise its operation. If any damage is evident, i.e. a cut or hole on the sides of the Diaphragm, replace it.

If there is a blockage, carefully remove it. If this can't be done, a garden hose may be used to flush the obstacle through. Do not use any sharp objects to probe or push an obstruction as this may damage the Diaphragm.

### Step 4: Diaphragm Assembly

Prior to re-installing the Diaphragm, rinse the Diaphragm and the Inner Extension Pipe thoroughly to remove any grit. Attach the Diaphragm to the Inner Extension Pipe (Diagram 6). Slide the top of the Inner Extension Pipe (the end which is opposite the Diaphragm) into the Motor Housing ensuring the locating lugs are seated in the slots provided. Note: The rim of the Diaphragm should be visible between the Motor Housing and Extension Pipe (Diagram 7).

Diagram 6



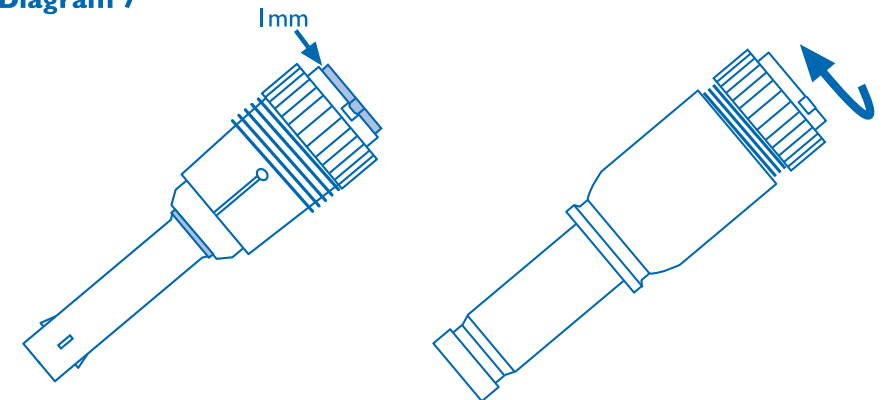
## SECTION 3 – QUICK RELEASE MOTOR ASSEMBLY

### Step 5: Resetting the Diaphragm

If when looking at the Diaphragm through the mouth of the Motor Housing the gap is excessive (more than 5mm) this could mean that the Diaphragm has stretched through normal use. As long as there is no damage to the Diaphragm it can be reset by leaving **1mm** exposed at the mouth of the Motor Housing (Diagram 7). This may resolve performance related problems such as running and stopping, coverage problems and/or your BARACUDA X7 QUATTRO® not climbing walls.

Hold the Motor Housing and tighten the Extension Pipe by turning it clockwise. Do not overtighten.

Diagram 7



### Step 6: Cleaner Reassembly

Reinstall the Motor Assembly and Thrust Washer into the Body of the BARACUDA X7 QUATTRO®. Slide the Body Cover back into place. Note: The Delta Wing may need to be lifted slightly to allow the Body Cover to locate correctly. Lock the Float Arms back into place and secure the clips.