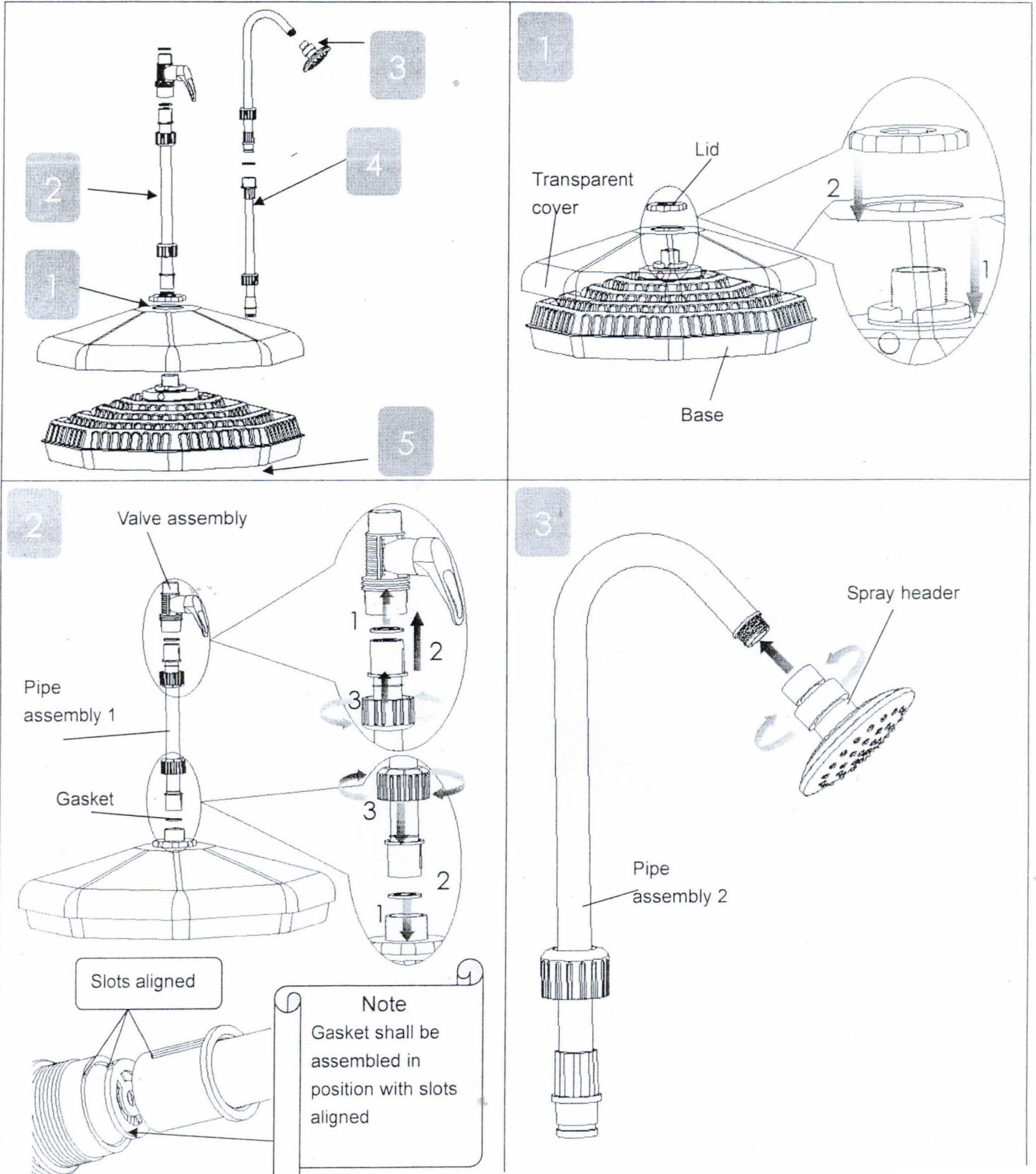
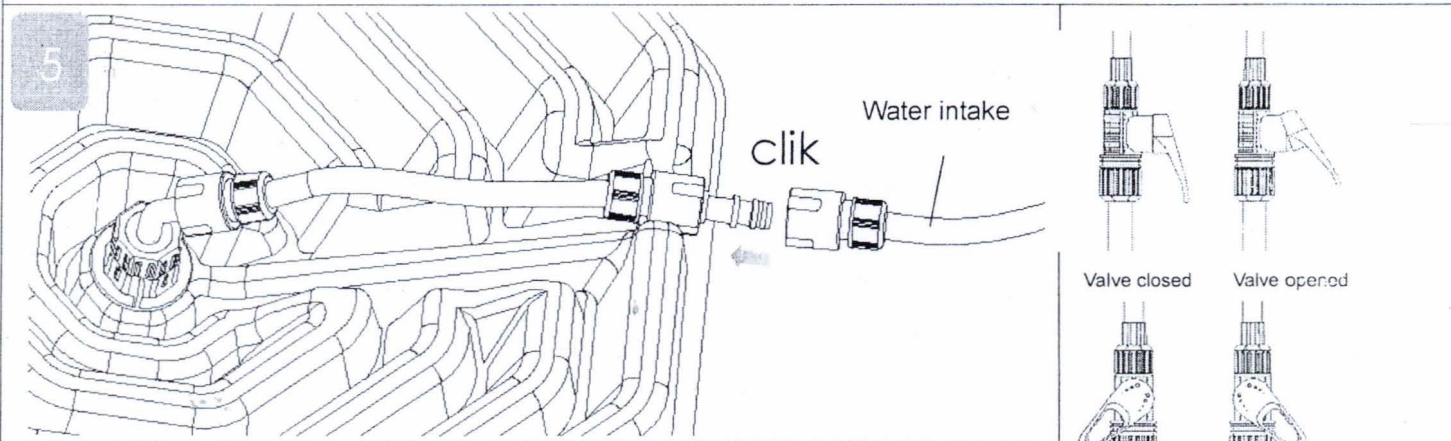
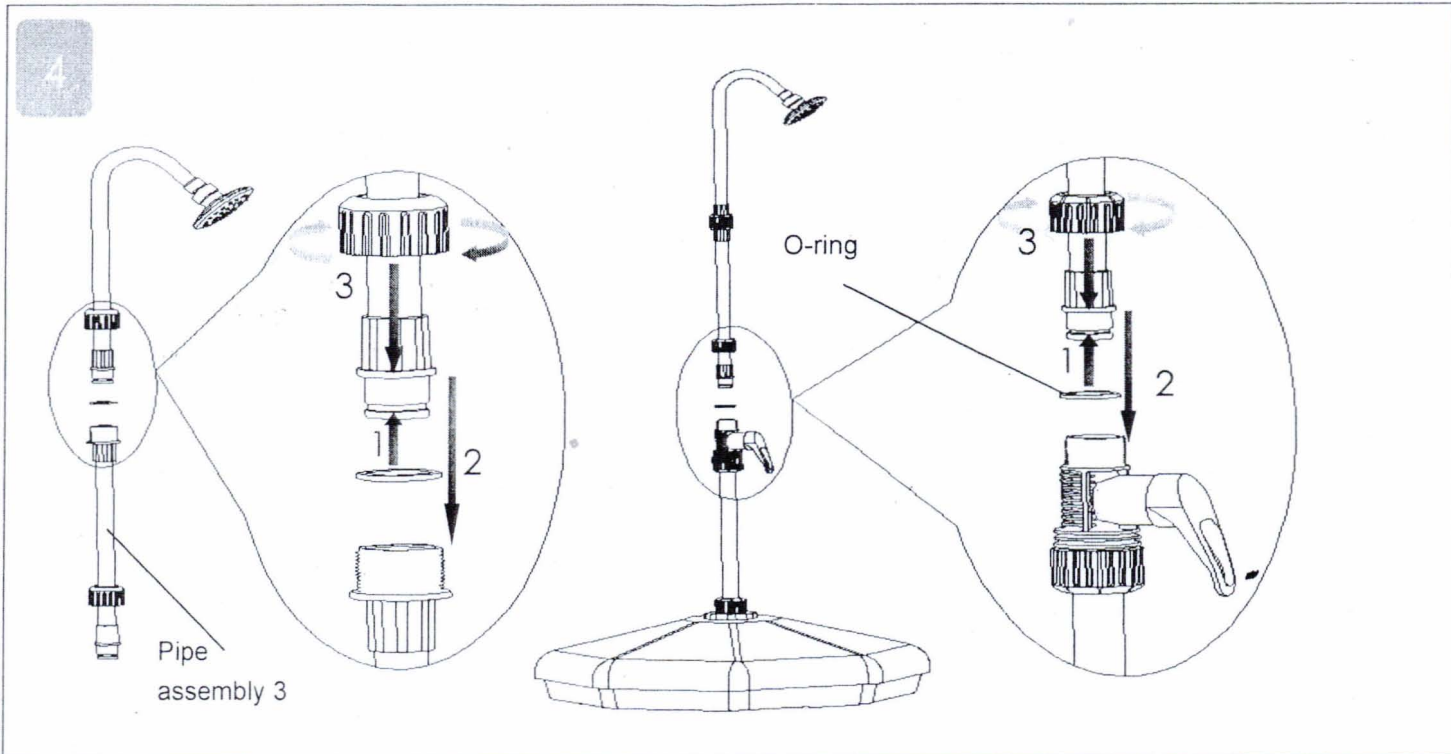


Installation Instructions for Shower

This shower system, of which the large volume design can meet a long time of showering, utilizes natural solar energy to supply free hot water and is suitable for any of outdoor applications. The unique pipe design causes that there is no additional water pressure in the containing body; this ensures that the shower cannot be damaged due to excessive water pressure and thus the lifetime of the shower is increased. The design of the transparent cover greatly increases the heat absorption during sunlight exposure and the heat preservation time after sunlight exposure, so the temperature of the water in the shower in the sun can reach 60°C.

Installation Steps





Points for Attention

Water leakage may occur due to part loosening caused during transportation or installation; if water leakage occurs, it is recommended that the parts at the water leaking location be tightened.

Fill the shower with water first after it is installed. Push the control handle to the position for hot water; when water flows out from the spray header evenly, the shower is full with water.

Do not stand directly under the spray header when starting to use the shower; high temperature water may cause scald. It is recommended to open cold water valve first and then slowly adjust the water to a proper temperature.

When the air temperature is below zero in winter, unscrew drainage screw to drain the water in the shower completely so as to avoid damage to the shower due to freezing.

Do not carry the pipe when moving the shower. Carry the base (or break down the pipe).

Do not stand on the base of the shower.

Do not sit on the base of the shower.

Do not hang or swing the pipe of the shower.

It is recommended to install an upstream container with a filter to eliminate any form of foreign matters in the water.

The shower has a potential high operating temperature up to 60°C/140°F; do not let children operate the shower.

Position for hot water Position for cold water

Parts List		
No.	Part Name	Q'ty
1	Base assembly	1
2	Transparent cover	1
3	Lid	1
4	Pipe assembly 1	1
5	Pipe assembly 2	1
6	Pipe assembly 3	1
7	Spray header	1
8	Gasket	2
9	O-ring	2
10	Valve assembly	1