

# FOUNTAIN INSTALLATION INSTRUCTIONS

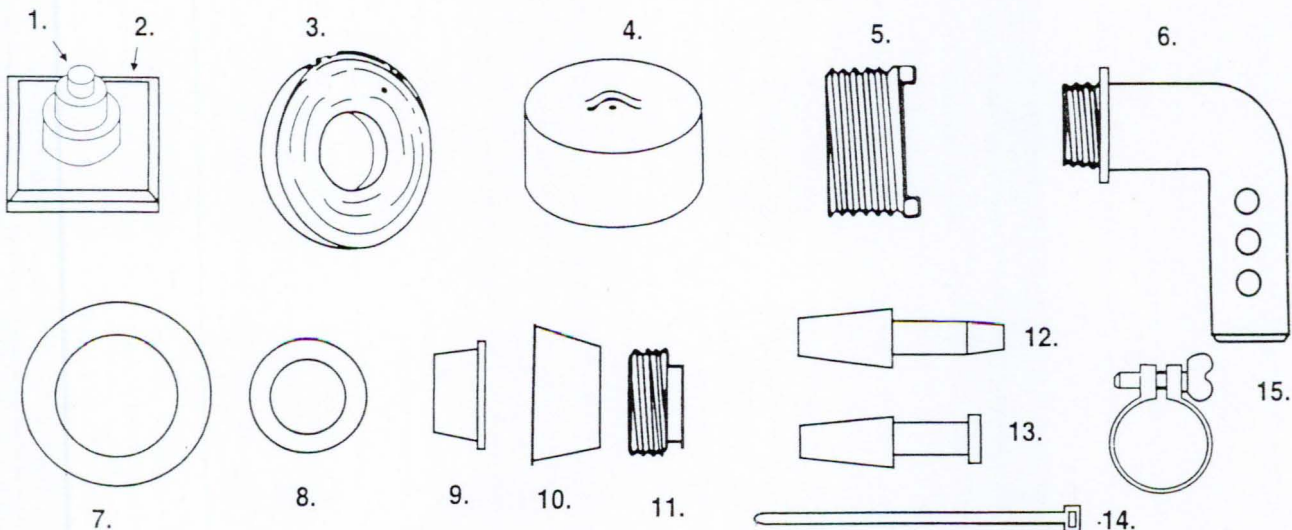
## FLOATING FOUNTAIN

Thank you for purchasing the finest floating swimming pool fountain in the world. We are confident that you will gain much enjoyment from the unique features and durable construction of the product.

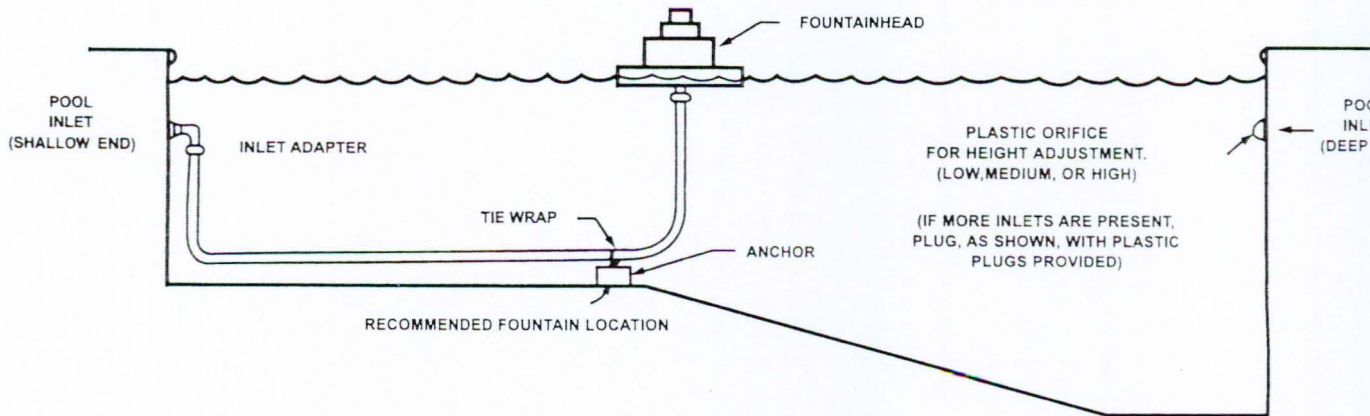
This fountain is to be assembled and installed by an adult. Please read the direction carefully before beginning assembly. Check that all hardware and parts are present BEFORE assembly (see parts diagram). Save all packaging material until assembly is complete to ensure that parts are not discarded. **CAUTION: IMPORTANT SAFETY INFORMATION -- KEEP SMALL PARTS, HARDWARE, AND PLASTIC BAGS OUT OF CHILDREN'S REACH.**

### PARTS LIST

Diag. No.	Part Description	QTY
1	BLOSSOMING FOUNTAIN Fountainhead	1
2	Float	1
3	Hose	1
4	Anchor	1
5	Threaded insert	1
6	Elbow piece	1
7	Large Washer	1
8	Small Washer	1
9	Small Orifices and Restrictions	5
10	Large Plug	1
11	Threaded Plug	1
12	Push-in Tube	1
13	Push-in Plug	1
14	Tie Wrap	1
15	Clamp	2



**FIGURE 1**



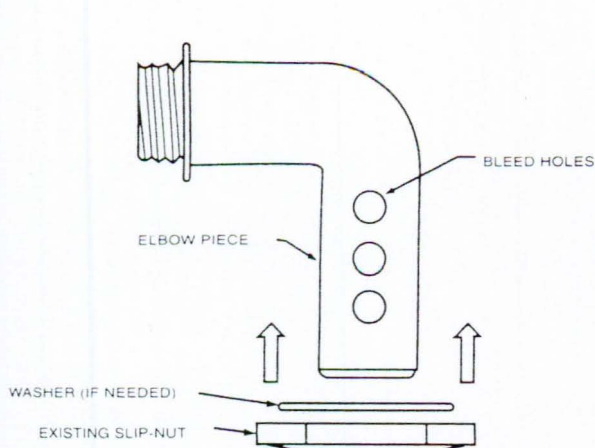
## **INSTALLATION INSTRUCTIONS**

This fountain kit will fit pools with four different types of inlets. After reading the description of each type below, determine which inlet you have and follow the appropriate installation instructions.

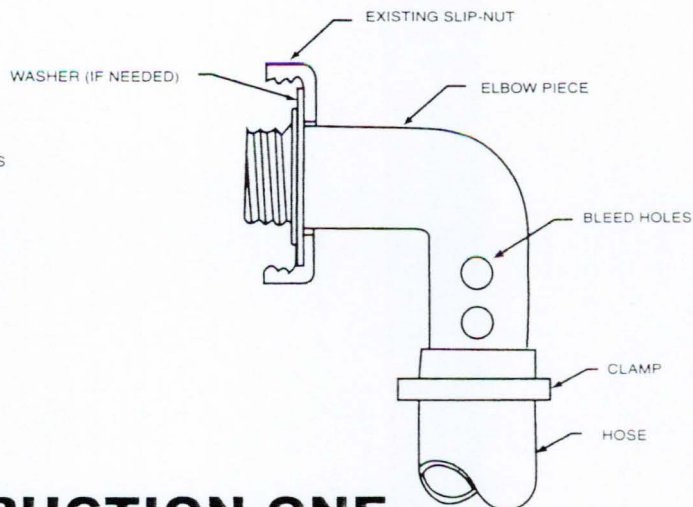
Directional "eyeball type with slip nut - This inlet has a slip-nut holding an "eyeball" for water directional control. Use installation **instruction 1, page 3** for this type inlet.

- 1-1/2 inch Female threaded inlet - Water enters through a 1-1/2 inch threaded hole. Hole measures approximately 1-3/4 inch across. Use installation **instruction 2, page 4** for this type inlet.
- 1 inch Unthreaded inlet - Water enters through a 1 inch unthreaded pipe or a 1 inch hole in a directional "eyeball". Opening measures approximately 1 inch top to bottom. Use installation **instruction 4, page 6** for this type inlet.
- Pool cleaner quick disconnect fittings. Refer to Figure 7. Use installation **instruction 4, page 6** for this type inlet.

If your pool does not have an inlet as described above, refer to the Other Adapters Available section on page 7



**FIGURE 2**



**FIGURE 3**

## **INSTRUCTION ONE**

1. Insure that the filter is operating and properly maintained. Turn the pump off.
2. Remove the slip nut holding the "eyeball" in place from the inlet nearest the shallow end. Select one of the washers (7 or 8) that best fits into the threaded part of the slip nut. Insert the elbow piece (6) through the opening in the washer and then through the slip nut (Fig.2). Some smaller inlets will not require a washer. This is your inlet adapter.
3. Refer to Figure 1. Uncoil the hose (3) and remove all twist. Using clamps (15), clamp one end of the hose to the back side of the fountainhead (1), and the other end to the inlet adapter from step 2. Cover one set of bleed holes with the hose (Fig. 3). To tighten clamp, grasp "tabs" between thumb and forefinger and squeeze. Tighten securely with a pair of pliers. To open the clamp, grip one "tab" of the clamp with pliers and twist loose.
4. Using the tie wrap (14), LOOSELY attach the anchor (4) to the hose (3). The anchor (4) should be attached to the hose (3) at a point as deep as the water plus approximately two feet. You will have to estimate what the water depth is where you want the fountain and add two feet. **CAUTION: DO NOT CONSTRICT THE HOSE BY TIGHTENING THE TIE WRAP (14) TOO TIGHT.**
5. Attach the inlet adapter to the pool inlet by screwing the slip-nut back on (Fig. 3).
6. Place the fountain assembly into the pool. Position the fountain in the desired location being careful not to crimp the hose (3).
7. Turn the pump on and observe the position and height of the fountain. Turn the pump off and adjust the fountain position if necessary.

### **HEIGHT ADJUSTMENT**

#### **SINGLE INLET POOLS**

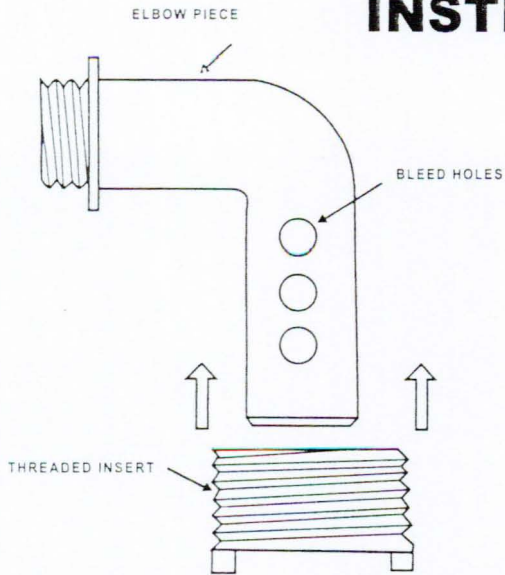
Height adjustment is achieved by covering more or less of the bleed holes (Fig. 3) on your elbow piece (6) with the hose (3). The more holes covered, the higher the fountain and vice versa.

#### **MULTIPLE INLET POOLS**

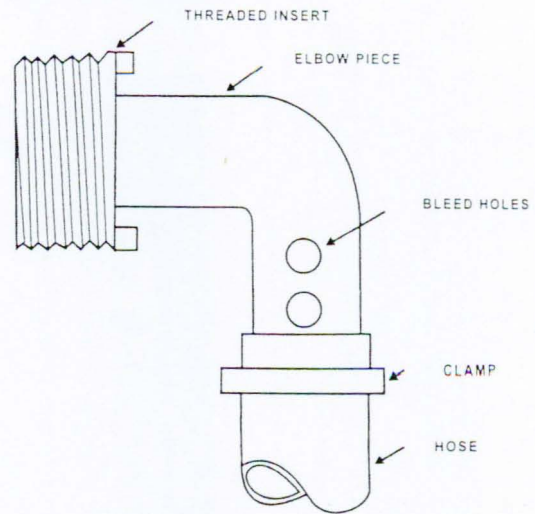
Height adjustment is achieved by a combination of two methods as follows:

- a) Plug or restrict the other inlets as needed using the appropriate fittings provided. Depending on the size "eyeball" inlet you have, your restrictions will be Diagram Number 10 or 11. The more restriction, the higher the fountain and vice versa.
- b) Cover more or less bleed holes on your Elbow Piece (6) with the hose (3). The more holes covered, the higher the fountain and vice versa.

## INSTRUCTION TWO



**FIGURE 4**



**FIGURE 5**

1. Insure that the filter is operating and properly maintained. Turn the pump off.
2. Slide the threaded insert (5) over the Elbow Piece (6) as shown in Fig 4. The threaded insert (5) is a tight fit around the turn in the Elbow Piece (6) therefore slight pressure is needed. This is your inlet adapter.
3. Refer to Figure 1. Uncoil the hose (3) and remove all twist. Using clamps (15), clamp one end of the hose to the back side of the fountainhead (1), and the other end to the inlet adapter from step 2. Cover one set of bleed holes with the hose (Fig. 4). To tighten clamp, grasp "tabs" between thumb and forefinger and squeeze. Tighten securely with a pair of pliers. To open the clamp, grip one "tab" of the clamp with pliers and twist loose.
4. Using the tie wrap (14), LOOSELY attach the anchor (4) to the hose (3). The anchor (4) should be attached to the hose (3) at a point as deep as the water plus approximately two feet. You will have to estimate what the water depth is where you want the fountain and add two feet. **CAUTION: DO NOT CONSTRICT THE HOSE BY TIGHTENING THE TIE WRAP (14) TOO TIGHT**
5. Attach the inlet adapter to the pool inlet by screwing it into the threaded pool inlet
6. Place the fountain assembly into the pool. Position the fountain in the desired location being careful not to crimp the hose (3).
7. Turn the pump on and observe the position and height of the fountain. Turn the pump off and adjust the fountain position if necessary.

### HEIGHT ADJUSTMENT

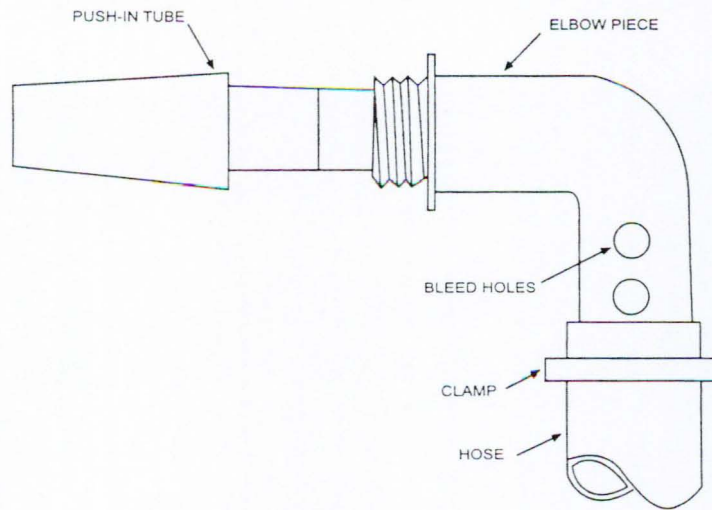
#### SINGLE INLET POOLS

Height adjustment is achieved by covering more or less of the bleed holes (Fig.5) on your elbow piece (6) with the hose (3) The more holes covered, the higher the fountain and vice versa.

#### MULTIPLE INLET POOLS

Height adjustment is achieved by covering more or less of the bleed holes (Fig.5) on your Elbow Piece (6) with the hose (3) The more holes covered, the highter the fountain and vice versa If your fountain is still not as high as desired, use the threaded plug (11) to plug one of the other inlets.

## INSTRUCTION THREE



**FIGURE 6**

1. Insure that the filter is operating and properly maintained. Turn the pump off.
2. Refer to Figure 6. Push the small end of the Push-in Tube (12) into the threaded end of the Elbow Piece (6) until it is secure. This is your inlet adapter.
3. Refer to Figure 1. Uncoil the hose (3) and remove all twist. Using clamps (15), clamp one end of the hose to the back side of the fountainhead (1), and the other end to the inlet adapter from step 2. Cover one set of bleed holes with the hose (Fig. 6). To tighten clamp, grasp "tabs" between thumb and forefinger and squeeze. Tighten securely with a pair of pliers. To open the clamp, grip one "tab" of the clamp with pliers and twist loose.
4. Using the tie wrap (14), LOOSELY attach the anchor (4) to the hose (3). The anchor (4) should be attached to the hose (3) at a point as deep as the water plus approximately two feet. You will have to estimate what the water depth is where you want the fountain and add two feet. **CAUTION: DO NOT CONSTRICT THE HOSE BY TIGHTENING THE TIE WRAP (14) TOO TIGHT.**
5. Attach the inlet adapter to the pool inlet by pushing the large end into the pool inlet until secure. (DO NOT HAMMER.)
6. Place the fountain assembly into the pool. Position the fountain in the desired location being careful not to crimp the hose (3).
7. Turn the pump on and observe the position and height of the fountain. Turn the pump off and adjust the fountain position if necessary.

### HEIGHT ADJUSTMENT

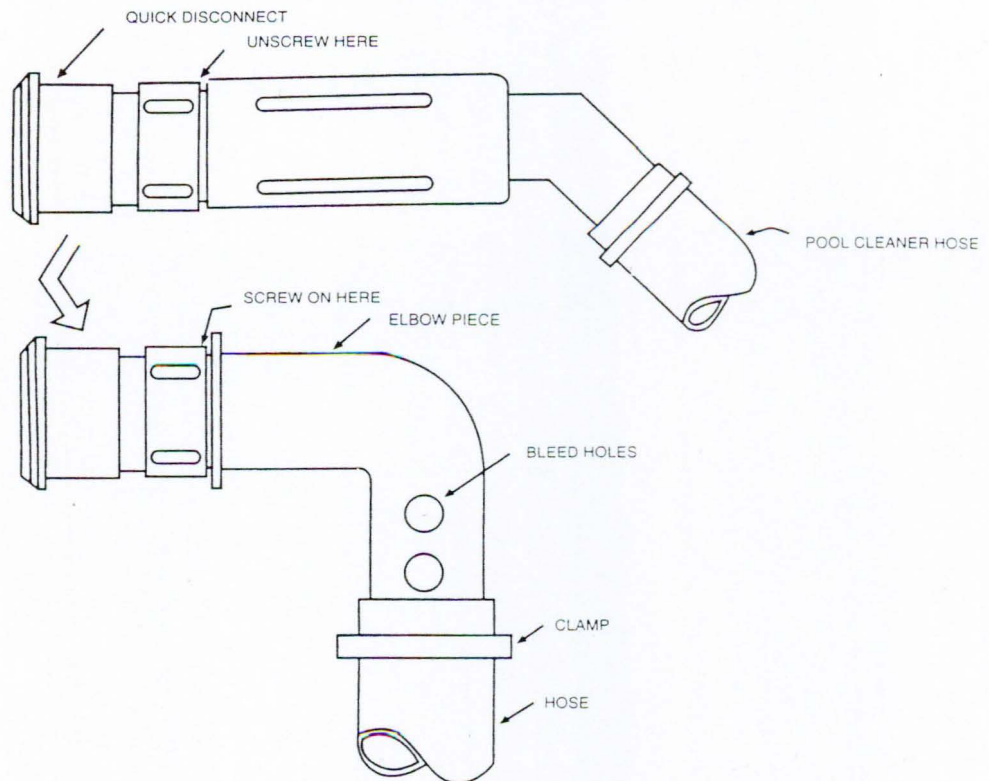
#### SINGLE INLET POOLS

Height adjustment is achieved by covering more or less of the bleed holes (Fig. 6) on your elbow piece (6) with the hose (3). The more holes covered, the higher the fountain and vice versa.

#### MULTIPLE INLET POOLS

Height adjustment is achieved by covering more or less of the bleed holes (Fig. 5) on your Elbow Piece (6) with the hose (3). The more holes covered, the higher the fountain and vice versa. If your fountain is still not as high as desired, use the threaded plug (11) to plug one of the other inlets.

# INSTRUCTION FOUR



**FIGURE 7**

1. Insure that the filter is operating and properly maintained. Turn the pump off.
2. Unscrew the end of your pool cleaner hose fitting as indicated in Figure 7. Screw the quick disconnect fitting on to the threaded end of the Elbow Piece (6) This is your inlet adapter.
3. Refer to Figure 1. Uncoil the hose (3) and remove all twist. Using clamps (15), clamp one end of the hose to the back side of the fountainhead (1), and the other end to the inlet adapter from step 2. Cover one set of bleed holes with the hose (Fig. 7). To tighten clamp, grasp "tabs" between thumb and forefinger and squeeze. Tighten securely with a pair of pliers. To open the clamp, grip one "tab" of the clamp with pliers and twist loose.
4. Using the tie wrap (14), LOOSELY attach the anchor (4) to the hose (3). The anchor (4) should be attached to the hose (3) at a point as deep as the water plus approximately two feet. You will have to estimate what the water depth is where you want the fountain and add two feet. **CAUTION: DO NOT CONSTRICT THE HOSE BY TIGHTENING THE TIE WRAP (14) TOO TIGHT.**
5. Attach the inlet adapter to the pool inlet by plugging the inlet adapter into the pool cleaner inlet as you would if you were connecting your cleaner.
6. Place the fountain assembly into the pool. Position the fountain in the desired location being careful not to crimp the hose (3).
7. Turn the pump on and observe the position and height of the fountain. Turn the pump off and adjust the fountain position if necessary.

## HEIGHT ADJUSTMENT

Height adjustment is achieved by covering more or less of the bleed holes (Fig. 7) on your elbow piece (6) with the hose (3). The more holes covered, the higher the fountain and vice versa.

# NOTES

1. Because the fountain kit is made to adapt to a number of different types of pool inlets, you will have some parts left over after assembly. Save these pieces as well as these instructions for future use if necessary.
2. After a few weeks exposure to the sun and chlorine, the hose (3) will turn frosty in color. This is normal and does not affect operation.
3. Remove the entire fountain during freezing conditions. Damage will result if the fountain is not drained and stored properly. It is advisable to store in a manner to prevent insects or trash from entering the fountain that would clog the jets.

## WARNING

**FOR SAFETY PURPOSES, COMPLETELY REMOVE THE FOUNTAIN ASSEMBLY PRIOR TO ENTERING THE POOL.**

## TROUBLE SHOOTING

PROBLEM	PROBABLE CAUSE	REMEDY
1. Fountain too low.	a) Too many adapter bleed holes uncovered.	a) Cover more adapter bleed holes with hose.
	b) Insufficient restriction in other inlets.	b) Add restriction to other inlets.
	c) Hose is kinked.	c) Remove kinks from hose, may require shortening the hose.
	d) Hose is crimped at anchor.	d) Move anchor further <b>away</b> from fountainhead.
	e) Dirty filter.	e) Backwash or clean filter unit.
	f) Insufficient pump power.	f) Check with dealer concerning proper pump operation. 1/2 H.P. pump should be sufficient if operating properly.
	g) Split in hose.	g) Obtain new hose.
	h) If pump has two speeds, pump on low speed.	h) Switch pump to high speed.
2. Fountain too high	a) Too many adapter bleed holes covered.	a) Uncover more adapter bleed holes.
	b) Too much restriction at other inlets.	b) Remove some restriction from other inlets.
3. Adapter will not fit inlet.	a) Read instructions, page 2, carefully	
4. Fountain is beautiful.	a) You purchased the right fountain.	a) Enjoy!