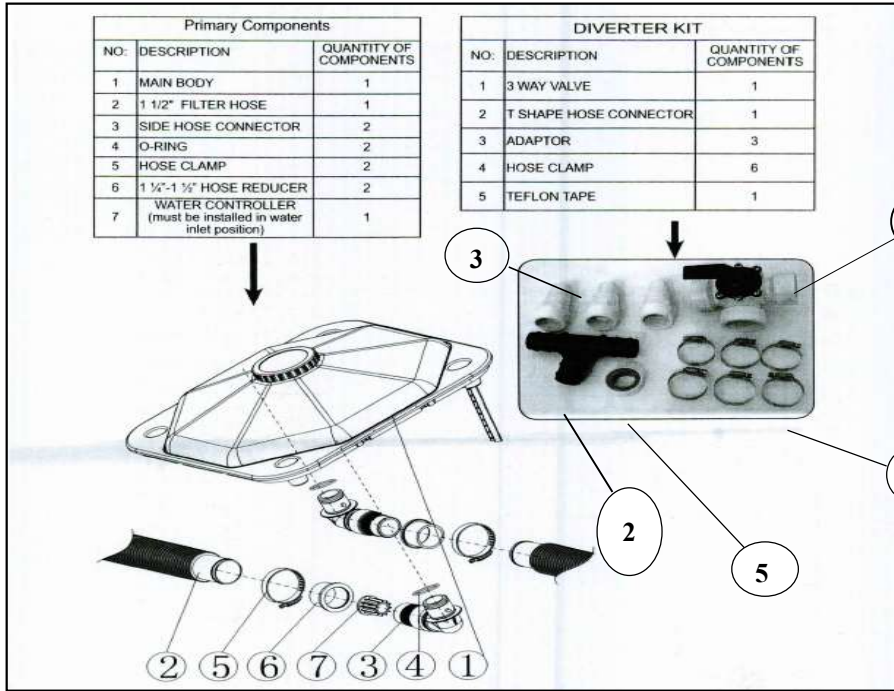


Doheny's Solar Dish



Primary Components		
NO:	DESCRIPTION	QUANTITY OF COMPONENTS
1	MAIN BODY	1
2	1 1/2" FILTER HOSE	1
3	SIDE HOSE CONNECTOR	2
4	O-RING	2
5	HOSE CLAMP	2
6	1 1/4"-1 1/2" HOSE REDUCER	2
7	WATER CONTROLLER (must be installed in water inlet position)	1

DIVERTER KIT		
NO:	DESCRIPTION	QUANTITY OF COMPONENTS
1	3 WAY VALVE	1
2	T SHAPE HOSE CONNECTOR	1
3	ADAPTOR	3
4	HOSE CLAMP	6
5	TEFLON TAPE	1

Parts Listing

Reference Number	Description	Number Required	Part Number
1	Main Body	1	27171
2	1 1/2" Filter Hose	1	27172
3	Side Hose Connector	2	27173
4	O-Ring	2	27174
5	Hose Clamp	2	27175
6	1 1/4" - 1 1/2" Hose Reducer	2	27176
7	Water Controller	1	27177

Reference Number	Description	Number Required	Part Number
Diverter Kit Parts			
1	3 Way Valve	1	27178
2	T Shape Hose Connector	1	27179
3	Adaptor	3	27180
4	Hose Clamp	6	27181
5	Teflon Tape	1	27182

Part Number Legend:

Bold* = Parts that are sold

Italics = Parts **NOT** sold but **MAY** be sent to customers w/ missing, defective or damaged parts upon arrival

Plain Font = Parts not sold or available (check warehouse to see if its available -if damaged, defective or missing)