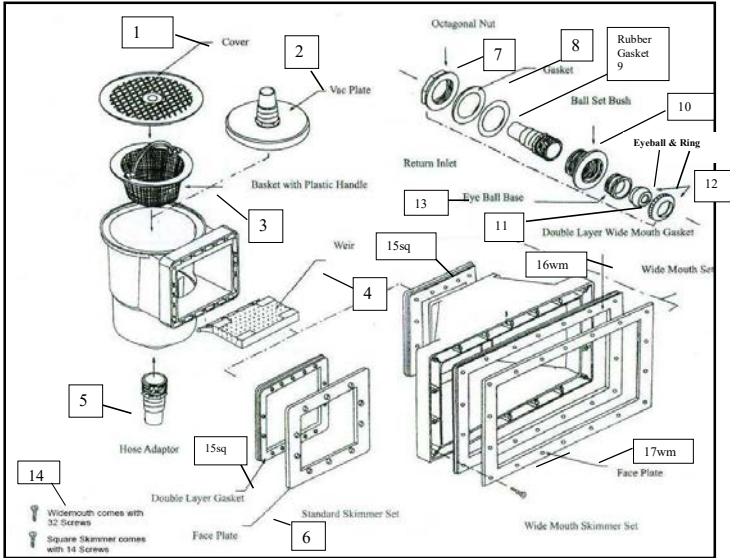


Doheny's Above Ground Skimmer Systems - Item#: 1260 & 7860



Note: Double layer gasket will need to be cut to form two gaskets

Parts Listing

1260 Skimmer

Reference Number	Description	Number Required	Part Number
1	Cover	1	11260*
2	Vac Plate	1	51260*
3	Skimmer Basket	1	41260*
4	Weir	1	31260*
5	Hose Adapter	3	131260
6	Face Plate	1	81260*
7	Octagonal Nut	1	151260
8	Paper Gasket	1	141260
9	Return Fitting Gasket	2	91260*
10	Ball Set Bush	1	161260
11	Eyeball	1	101260
12	Ring	1	
13	Eyeball base	1	121260
14	Screw Set Pack	14	61260*
15sq	Double Layer Square Gasket	1	71260*
Parts 7-13	Return fitting assy for skimmer	1	21260*

7860 Skimmer

Reference Number	Description	Number Required	Part Number
1	Cover	1	11260*
2	Vac Plate	1	51260*
3	Skimmer Basket w/ Handle	1	41260*
4	Weir	1	31260*
5	Hose Adapter	3	131260
7	Octagonal Nut	1	151260
8	Paper Gasket	1	141260
9	Rubber Gasket	2	91260*
10	Ball Set Bush	1	161260
11	Eyeball	1	101260
12	Ring	1	111260
13	Eyeball base	1	121260
14	Screw Set Pack	32	171260
15sq	Double Layer Square Gasket	1	71260*
16w	Double Layer Wide Mouth Gasket	1	27860*
17w	Face plate	1	17860*
Parts 7-13	Return fitting assy for skimmer	1	21260*

Part Number Legend:

Bold* = Parts that are sold

Italics = Parts **NOT** sold but **MAY** be sent to customers w/ missing, defective or damaged parts upon arrival

Plain Font = Parts not sold or available (check warehouse to see if its available -if damaged, defective or missing)