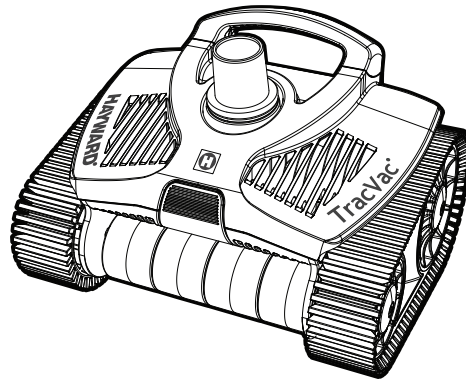
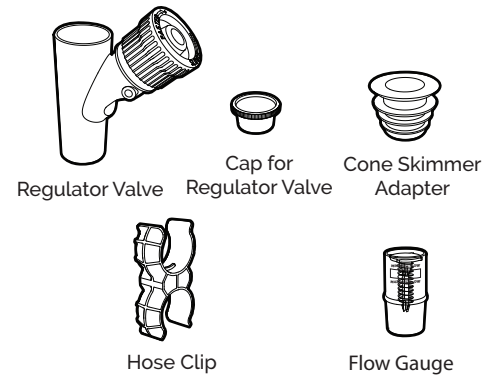


QUICK START GUIDE

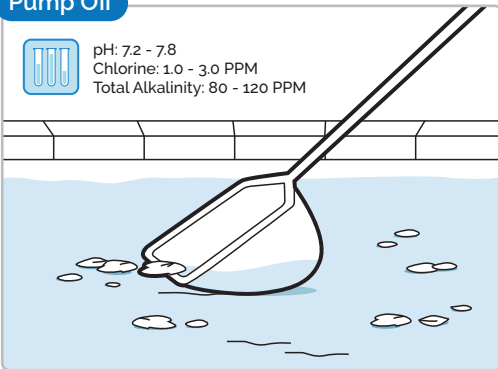
TracVac



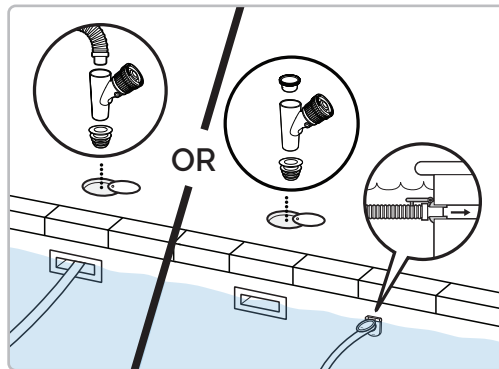
What's Included



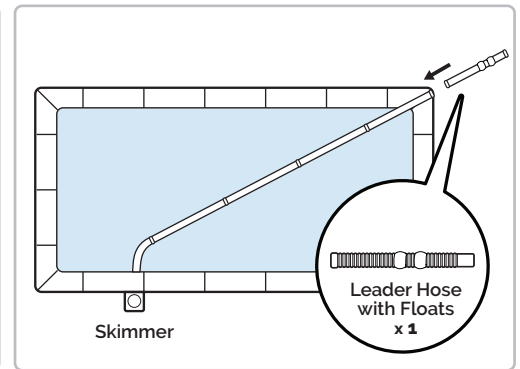
Pump Off



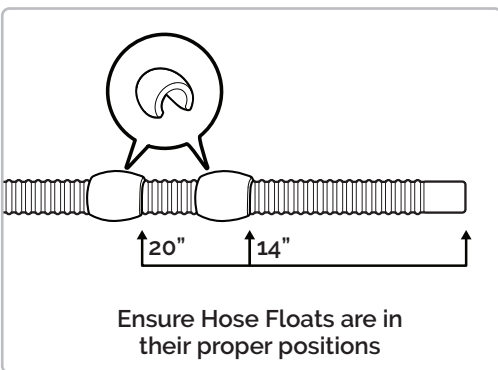
1 Clear debris, check pool chemicals



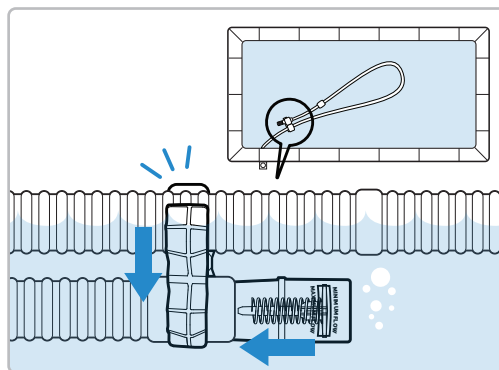
2 Main connection (Skimmer or Suction Port)



3 Determine hose length from Skimmer to the farthest point

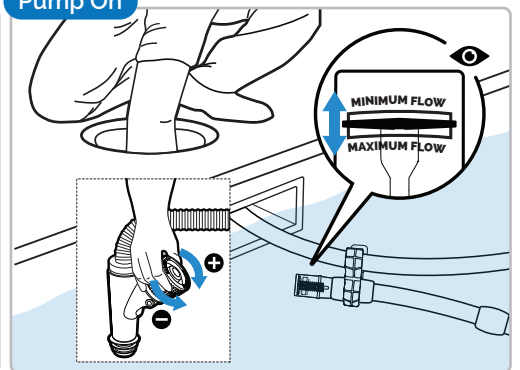


4 Attach Hose Float to leader hose



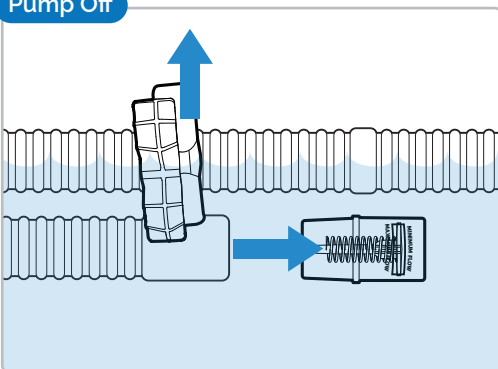
5 Loop hose back and clip near Skimmer or Suction Port with Hose Clip, attach Flow Gauge

Pump On



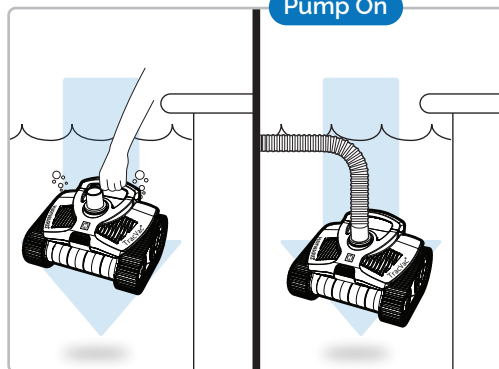
6 Turn pump on, adjust flow with regulator or system pump and valves as needed

Pump Off



7 Turn pump off, remove Gauge & Hose Clip, keeping hose submerged

Pump On



8 Submerge cleaner, connect hose, turn pump on

