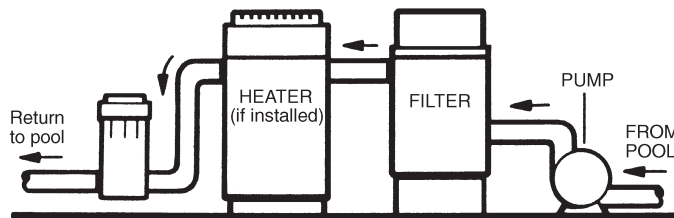


I INSTALLATION 2457 / 2458

1. Your automatic chlorine feeder is designed for permanent installation in the pool water return line.
2. Always install the chlorine feeder after the heater. If there is no heater, install after the filter. Damage to the heater or filter may result if concentrated chlorine is allowed to flow through them.
3. 2457 & 2458 are furnished with 1-1/2 in. female threads. 2457 is also equipped with male threads. Only use pipe sealants formulated and approved for use with ABS plastic connections. Do not overtighten pipe fitting. Proper fitting makeup is hand tight plus 1 to 1-1/2 turns maximum.

Notice: After starting up system, re-check all connections for leaks. Re-tighten as required.

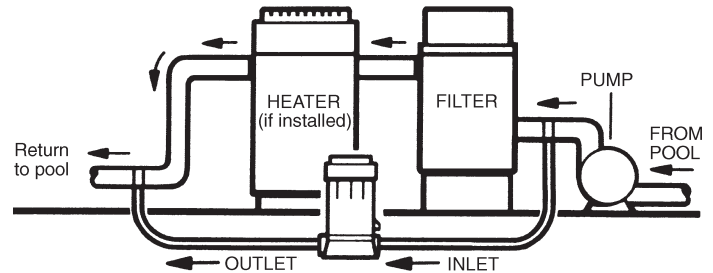
4. Refer to **Section II DIRECTIONS FOR USE.**



Note: Never install the chlorine feeder directly into copper plumbing as pipe damage may occur. If you have brass or bronze backwash valves, or other sensitive metallic components, call Doheny's for precautions or recommendations for your particular system.

A Planning Installation 2459

1. The inlet connection should be made in the piping after the pump and before the filter. Mark location on pipe.
2. The outlet connection should be made in the piping after the heater. If no heater is being used, connection should be made after the filter. Mark location on pipe.
3. Based on the locations from Steps 1 and 2, cut tubing to required lengths. Be sure ends are cut evenly and cleanly.



Note: Never install the chlorine feeder directly into copper plumbing as pipe damage may occur. If you have brass or bronze backwash valves, or other sensitive metallic components, call Doheny's for precautions or recommendations for your particular system.

B Connection to Chlorine feeder 2459

1. Wrap Teflon tape on larger male thread of Check Valve and thread it securely into outlet port of chlorine feeder.

Notice: The Check Valve is marked with a 'dot'. It also has a ball that 'clicks' when you shake it.

2. Wrap Teflon tape on large male thread of the Inlet Fitting Adapter and thread it securely into the inlet port of chlorine feeder.
3. To connect inlet tubing to chlorine feeder, place compression nut over inlet tubing and move the nut up about 2 in. Insert the tubing all the way into the inlet fitting adapter socket and while holding tubing in place, tighten nut firmly by hand. Do not overtighten.
4. Connect outlet tubing to the Check Valve in the same manner as in Step 3 above.

C Connection to Plumbing Lines 2459

Notice: The Saddle Fittings and clamps are designed to fit the O.D. of 1-1/2 in. or 2 in. pipe.

5. Drill a 3/8 in. hole at location identified in Step 1 of planning installation section. Clean all burrs and shavings. Fit Saddle Fitting, with gasket, into oval shaped hole in clamp and insert fitting into the 3/8 in. hole. Secure clamp around Saddle Fitting, gasket and pipe and tighten securely to achieve a good seal. Do not overtighten clamp.

- 6 Drill a 3/8 in. hole at location identified in Step 2 of Planning Installation section. Install Saddle Fitting as in Step 5 above.
7. Connect inlet and outlet tubing to the Saddle Fittings with Compression Nuts as in Step 3 above. Do not over tighten.

Notice: After starting up system, re-check all Connections for leaks. Re-tighten as required.

II DIRECTIONS FOR USE

General

Before using your chlorine feeder, your pool/spa water should be properly balanced and conditioned and should have a chlorine residual of approximately 1.0 to 1.5 ppm. Follow chemical manufacturer's directions and instructions. Check chlorine residual daily and adjust the dial valve for more or less chlorine. The chlorine demand for pools and spas varies based on usage, temperature and sunlight. Initially, you'll have to experiment to determine the proper amount of chlorine and the correct valve setting required for your pool and filter time cycle. Follow chemical manufacturer's instructions for proper chlorine level.

Refilling Chlorine feeder

DANGER

- You can use 3 in. or 1 in. diameter slow-dissolving Trichloro-S Triazinetrione Chlorine Tablets.
- Never mix chemicals as it may cause fire and/or an explosion.
- Never mix Trichloro-S-Triazinetrione Chlorine Tablets with Calcium Hypochlorite, or with any other form of concentrated chlorine or other chemicals. Fire and/or explosion may result.
- Never add any other types of chlorine, pH adjusters, shock treatments or algaecides through the skimmer. If these products must be used, they should be added directly into the pool water.
- Never isolate chlorine feeder with valve or other Devices.

WARNING

- Read and follow all Safety Instructions prior to operating or servicing this chlorine feeder.
- To reduce the risk of injury, do not permit children to use this product.
- Wear eye and skin protection while maintaining or servicing this unit.
- Do not inhale fumes from the chlorine feeder or chemical container.
- Chlorine feeder may be under pressure. Use Caution removing cover.

1. Shut off all pumps and pump timers.
2. Turn chlorine feeder flow control valve to 'OFF'
3. Verify chlorine feeder return line to pool is unrestricted.
4. Wait one minute to relieve system pressure before attempting to remove cover.
5. Remove cover.
6. Refill chlorine feeder with 3 in. or 1 in. diameter slow-dissolving Trichloro-S-Triazinetrione Chlorine Tablets.
7. Secure cover to chlorine feeder.
8. Turn flow control valve to desired setting. Restart pump.

III MAINTENANCE

A To Change O-Ring 2458

1. Read and follow instructions in Step 1 to 5 in Refilling Chlorine feeder section.
2. Remove the O-Ring and replace with a Doheny's replacement O-Ring part #24572.
3. Replace cover. If chlorine feeder needs to be refilled, read and follow instructions in Steps 6 to 8 in Refilling Chlorine feeder section.

A To Change O-Ring 2457 & 2459

1. Read and follow instructions in Step 1 to 5 in Refilling Chlorine feeder section.
2. Replace O-Ring with a Doheny's replacement O-Ring part # 24573. Reassemble being sure Slip Washers are in place on stem of Cover (Inside).
3. Replace cover. If chlorine feeder needs to be refilled, read and follow instructions in Steps 6 to 8 in Refilling Chlorine feeder section.

B To Remove Flow Control Valve Handle

Set pointer to FULL. Insert screwdriver in slot opposite pointer, lift up and rotate handle counterclockwise. This allows the handle index lock tab to clear the body ridge.

C Winterizing

Where freezing temperatures can be expected, drain all water from chlorine feeder, (For in-line permanently- installed unit, remove drain plug). Carefully remove undissolved tablets and rinse out chlorine feeder thoroughly with water. Replace cover and drain plug.

D Vacuuming

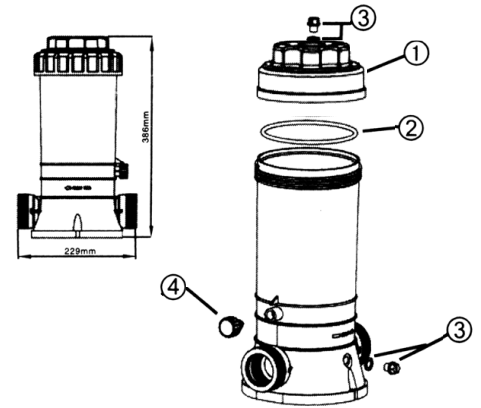
When vacuuming, close flow control valve to prevent bypass of sediment and possible clogging of control valve.

E Lubrication

Never use petroleum type lubricants on Cover O-Ring. Use Magic Lube part #1185 to lubricate.

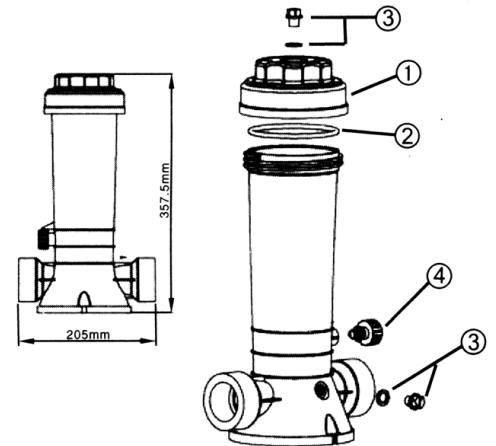
2457 Series

REF No.	PART NUMBER	DESCRIPTION	No. REQ'D
1	65431033080	Cover	1
2	24573	O-Ring	1
3	24571	Drain Plug with Gasket	2
4	24574	Control Valve Assembly	1



2458 Series

REF No.	PART NUMBER	DESCRIPTION	No. REQ'D
1	647016703080	Cover	1
2	24572	O-Ring	1
3	24571	Drain Plug with Gasket	2
4	24574	Control Valve Assembly	1



2459 Series

REF No.	PART NUMBER	DESCRIPTION	No. REQ'D
1	647016802000	Cover	1
2	65431036080	O-Ring	1
3	24571	Drain Plug with Gasket	2
4	24574	Control Valve Assembly	1
5	24578	Inlet Fitting Adapter	1
6	24575	Compression Nuts	1
7	24576	Plastic Tubing - 8 feet	1
8	24577	Saddle Fitting	2
9	245710	Saddle Clamp	1
10	24579	Check Valve Assembly	1

