

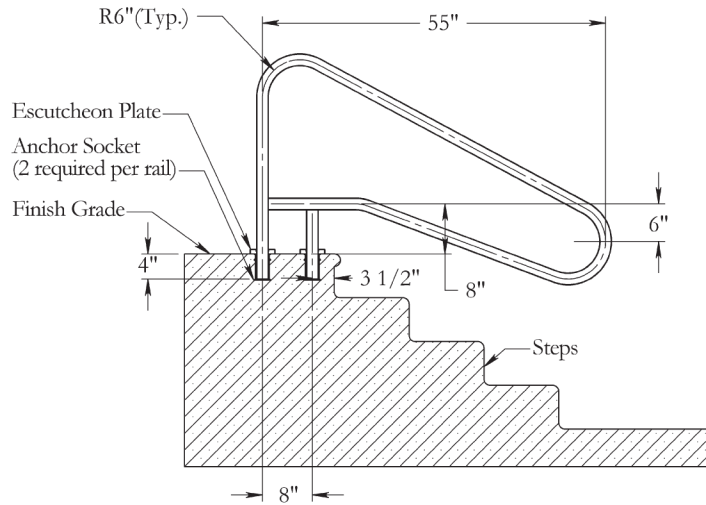
STAIR RAILS - 4 BEND - BRACED:



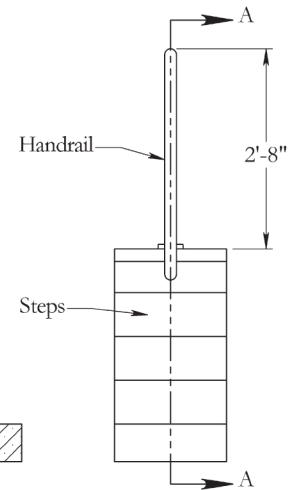
Part # D4BD049

FEATURES:

- .049" Wall Stainless Steel Construction
- Available in Commercial Grade .065"
- 304 SS
- 1.90" OD



SECTION A-A



ELEVATION

NOTE: Escutcheons sold separately w/ss products; included with powder coated ladders and rails. All measurements on center.