

ECONOMY FIGURE 4 GRAB RAIL:

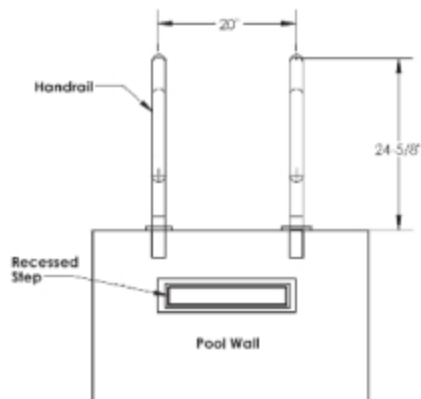
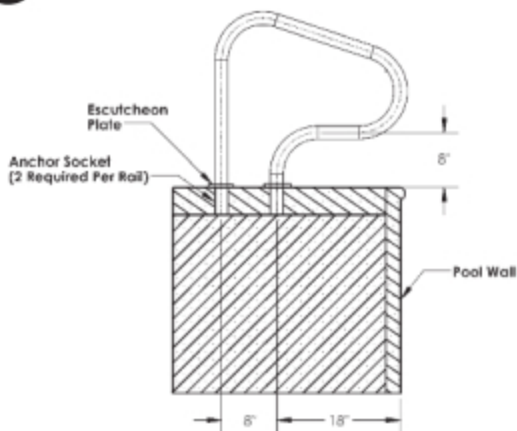


PC
TP
MG

FEATURES:

- .049" Wall Stainless Steel Construction
- Available in Commercial Grade .065"
- Economy Figure 4 Grab Rail is Shorter in Height & Span than Figure 4 Grab Rail
- 304 SS and 316L
- 1.90" OD

Part # G3DE049 (pair)
Part # G3DE049-SINGLE (single)
Part # G3DE065 (pair .065 wall)



NOTE: Escutcheons sold separately w/SS products; included with powder coated and thermo plastic coated ladders and rails.
All measurements on center. Anchors are not included and recommended.