

PLACE
STAMP
HERE

Mail today to –

**Aqua Vac Pool Cleaners
1711 Longwood Road
West Palm Beach, FL 33409
Attn: Warranty Records**

Fold, stamp and mail or fax to 561-688-0217 or register on the web at www.aquavacsystems.com

Serial # _____ SharkVac
(Located inside filter area)

Registration of Warranty

This registration card must be mailed within 10 days of purchase to secure limited warranty.
FOR USE IN THE U.S.A. ONLY.

Name _____

Address _____

City _____ State _____ Zip _____

Date Purchased _____

Is this replacing another pool vacuum? Yes ___ No ___ If yes, what brand? _____

Purchased from _____

City _____ State _____ Zip _____

The size of my pool surface is _____ x _____ Surface is _____

Have you seen us on the internet? Yes ___ No ___



Limited Warranty

WARRANTY REGISTRATION CARD

Please fill out the warranty registration card on the cover of this manual. Give complete information as requested on the card, and return to AquaVac Pool Cleaners. Any information or questions you may have concerning your AquaVac or this warranty may be obtained from AquaVac Pool Cleaners. No dealer, distributor, or other similar person has any authority to make any warranties or representations concerning AquaVac Pool Cleaners' products or to extend this warranty beyond the express items contained herein. Accordingly, AquaVac Pool Cleaners assumes no responsibility for any such warranties or representations beyond the express items contained in this limited warranty. This limited warranty is valid and enforceable only in the United States of America on AquaVacs that are owned and operated in the United States of America. This warranty gives you specific legal rights. You may also have other rights which vary from state to state. Your AquaVac Pool Cleaner has been manufactured, tested and inspected in accordance with carefully specified engineering requirements. It is warranted to be free from defects in material and workmanship.

MODEL

SharkVac by Hayward

WARRANTY PERIOD

1 - Year

COVERAGE

Parts & labor on complete unit, power train, motor unit, and power supply, excluding filters.

This limited warranty includes both parts and labor for the periods above noted and is available only to the original purchaser (USA only).

EXCEPTIONS AND EXCLUSIONS FROM WARRANTY

The AquaVac must be used with electrical requirements as indicated on the AquaVac Power Supply. Otherwise damage, defects, malfunctions or other failures of the AquaVac arising from use on electrical supply not as indicated are excepted and excluded from this warranty.

Defects, malfunctions, failure or damage of the AquaVac caused by improper, unreasonable, or negligent use or abuse by the consumer, are excluded from this warranty.

If any repair is made on your AquaVac by anyone other than authorized personnel (designated to perform such work) without first having obtained factory instructions, AquaVac Pool Cleaners, at its sole option, may determine that this warranty will not apply and that reimbursement for such repair will not be made because of failure to comply with such factory specified instructions.

Filter cartridges are not covered by this warranty and will be replaced only with your prior approval of the charges.

Any unit that is used outside the continental U.S. is excluded from this warranty. AquaVac Systems shall be held harmless outside the continental U.S.

INSTRUCTIONS TO OBTAIN WARRANTY REPAIR

To obtain repair of your AquaVac under this warranty, the following procedure must be used:

- Select the nearest AquaVac Pool Cleaners Factory Authorized Service Center from the enclosed list and contact them to make service arrangements.
- Ship the AquaVac, together with two extra photocopies of satisfactory evidence of the purchase date to the Factory Authorized Service Center with shipping and delivery charges prepaid.

If you are unable to locate a Factory Authorized Service Center, you may call Aqua Vac Pool Cleaners at 1-800-327-0141 for the nearest location or visit our website at www.aquavacsystems.com or www.haywardnet.com.

TERMS

If a warranty claim is made within the warranty period, your AquaVac will be repaired at no charge (parts & labor) and will be returned to you or the service center freight prepaid.

After the warranty period, repairs will be made only with your prior approval of the charges.

When requesting warranty repair, PLEASE MAKE CERTAIN to state the serial number inside the main case of the cleaner.

REPLACEMENT

In the event of a defect, malfunction, or failure of your AquaVac, or any warranted part within the warranty period, Aqua Vac Pool Cleaners, may at its sole option and own expense, replace the AquaVac or any warranted part, with another new or factory rebuilt identical or reasonably equivalent unit or part, in lieu of repairing the defect.



Owner's Manual



Contents

Important Safety Precautions	6-7
General Information.....	8
General Operating Instructions ..	9-10
Machine Assembly/Parts	11-12
Maintenance	13-15
Troubleshooting.....	16-17
Specifications	18



1711 Longwood Road, West Palm Beach, Florida 33409
USA Toll Free 1-800-327-0141 • (561) 688-0211 • Fax (561) 688-0217
E Mail: info@aquavacsystems.com
www.aquavacsystems.com or www.haywardnet.com






Important Safety Precautions

Attention User: This manual contains important information that will help you in operating and maintaining this pool cleaner. Please retain it for reference.




WARNING – Before installing this product, read and follow all warning notices and instructions which are included. Failure to follow safety warnings and instructions can result in severe injury, death, or property damage.

Consumer Information and Safety

The SharkVAC pool cleaner is designed and manufactured to provide safe and reliable service when installed, operated and maintained according to the information in this manual. Be sure to read and comply with all of the warnings and cautions.

 DANGER	Risk of electrical shock or electrocution The electrical supply to this product must be installed in accordance with the National Electrical Code and all applicable local codes and ordinances. Improper installation will create an electrical hazard which could result in death or serious injury to pool users or others due to electrical shock, and may also cause damage to property.
 WARNING	Do not play with cleaner or cable or apply to body. Can trap or tear hair or body parts. Cable can trip or entangle swimmers which could result in drowning.
 WARNING	Do not allow swimmers in the pool while pool cleaner is operating.
 WARNING	To reduce the risk of injury, do not let children use or play with pool cleaner.
 CAUTION	Before installing the cleaner, understand cleaner coverage. The cleaner was not designed to automatically clean steps or to work under a solar cover. It was also not designed to do initial cleanup for a new pool installation.

Operating the SharkVAC

 WARNING	Your cleaner should not be used while people are swimming in the pool.
 WARNING	A Ground Fault Current Interrupter (GFCI –USA) must be installed to protect your electrical outlet and to prevent any possible electric shock. Failure to do so could create an electrical hazard which could result in death or serious injury to pool users or others due to electrical shock and may also cause damage to property.
 CAUTION	DO NOT switch the pool cleaner to “ON” if it is not immersed in the water. Operating the cleaner out of the water may cause severe damage and will result in loss of warranty. Always remember to turn the power supply “OFF” and unplug it from the power outlet before removing the cleaner from the pool.



READ THESE IMPORTANT OPERATING TIPS BEFORE USING YOUR UNIT!

Dear Aqua Vac Owner:

Thank you for choosing SharkVAC. In order to achieve optimal performance, please read and follow these steps:

- 1. Allow the cleaner the first 10 minutes of each use to map pool size and configuration. The normal programmed cycle is not designed to begin until after this period.*
- 2. Cleaner filter cartridges should be thoroughly cleaned after each use or as often as needed to ensure cleaner's optimal performance.*
- 3. Before using your cleaner and especially when opening the pool for the first time remove larger items from the pool that may diminish the cleaner's performance. Clean filter frequently when pool is excessively dirty.*
- 4. For the first use, run cleaner for the full cycle (2 hours) to ensure a clean pool and give yourself a full understanding of the cleaner's capabilities. Subsequent cleanings may take less than a full cycle.*
- 5. Cleaner may periodically go to the wall but not necessarily climb to the vertical position. This is a normal part of the programmed cycle.*
- 6. Cleaner may stop in the middle of the pool and reverse during cleaning cycle. This is a normal part of the programmed cycle.*
- 7. **DO NOT** start cleaner out of the water. Power button should only be switched to "On" position when unit is submerged. The unit will automatically shut off, but it is best to put power switch in "OFF" position when unit completes cleaning.*
- 8. Plug in only to GFCI (Ground Fault Circuit Interrupter) protected 120VAC volt AC outlet.*
- 9. Place the SharkVAC power supply so that it is at a minimum distance of 11.5 feet from the pool edge. The length of the standard SharkVAC cable is 50 feet.*



GENERAL INFORMATION.

Congratulations on your purchase of a **SharkVAC** microprocessor controlled, fully automatic pool cleaner. The **SharkVAC** represents the highest standard in design, performance, and quality. This manual contains important information regarding the operation and maintenance of your **SharkVAC**.

PLEASE READ AND FOLLOW ALL INSTRUCTIONS CAREFULLY BEFORE PUTTING YOUR SHARKVAC INTO USE.

Deterioration, discoloration or brittleness of any pool finish can be caused over time separately by, or in combination with, age, incorrect pool water chemistry, improper installation, and other factors. Customer hereby disclaims any and all claims, and releases Manufacturer from any and all claims for damages to any pool plaster or vinyl liner in Customer's pool by reason of the use and/or operation of the Cleaner. Under no circumstances shall the Manufacturer be liable for any loss or damage, whether direct, consequential or incidental, arising out of the use or inability to use the cleaner in Customer's pool.

FEATURES

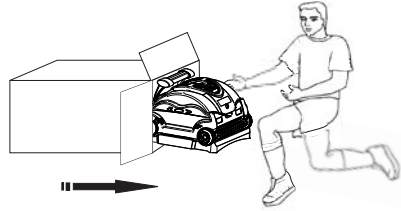
- The **SharkVAC** independently scrubs, vacuums, and filters your pool.
- No installation, no attachments. Just drop it in and turn it on. It is completely automatic.
- Filter cleaning is much easier with the top-access filter cartridge element.
- Adaptive Seek Control Logic (ASCL™) Microprocessor control optimizes cleaning routine for each individual pool size and shape.
- Electronic Self-Diagnostics and Overload Protection.
- Simple Direct Drive design w/non-corrosive bearings for high reliability.



GENERAL OPERATING INSTRUCTIONS.

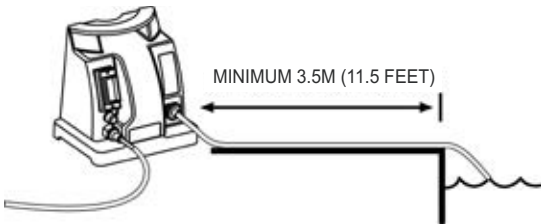
Take a moment to get familiar with the **SharkVAC** using the figure on page 11. Throughout this manual reference to this figure is made when referring to different components of the **SharkVAC**.

Remove the **SharkVAC** by placing the carton down and removing it from the box as shown. If the Caddy Cart is included, the **SharkVAC** and the Power Supply will be premounted to the cart. See page 12 for **SharkVAC** Caddy Cart.



1. Select the nearest GFCI (Ground Fault Circuit Interrupter) protected 110-120 volt AC outlet.

2. Place the **SharkVAC** power supply so that it is at a minimum distance of **11.5** feet from the pool edge. The length of the standard SharkVAC cable is **50** feet.



3. Connect the floating cable to the power supply. Use only the original **SharkVAC** Power Supply manufactured by Hayward Pool Products.

4. Place the **SharkVAC** in the pool. It will slowly sink to the bottom of the pool as the air inside is released.

5. Connect the power supply to the GFCI protected outlet and switch it on. The **SharkVAC** will perform a self-diagnostics routine for several minutes before starting the cleaning cycle.

Caution: **DO NOT** switch power supply “ON” when the **SharkVAC** is out of water. This may result in damage to the pump and drive motor seals, which will **VOID** the warranty.

6. The SharkVAC will automatically shut off after a cleaning cycle of 2 hours. If your pool is cleaned in less time than 2 hrs, you may shut the SharkVAC off manually by switching the power supply to the off position.



Should a second cleaning cycle be required, switch OFF the power supply for 10 seconds and restart.

7. After the pool has been cleaned, switch OFF the power supply before removing the **SharkVAC** from the pool.

8. Remove the **SharkVAC** from the water at the shallow end of the pool by pulling the cable until the **SharkVAC** reaches the surface. **Then lift it out of the water using the handle, NOT the cable.**

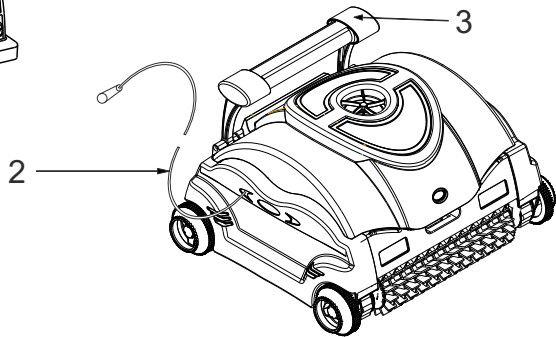
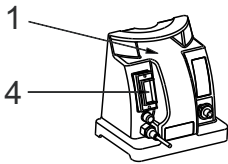
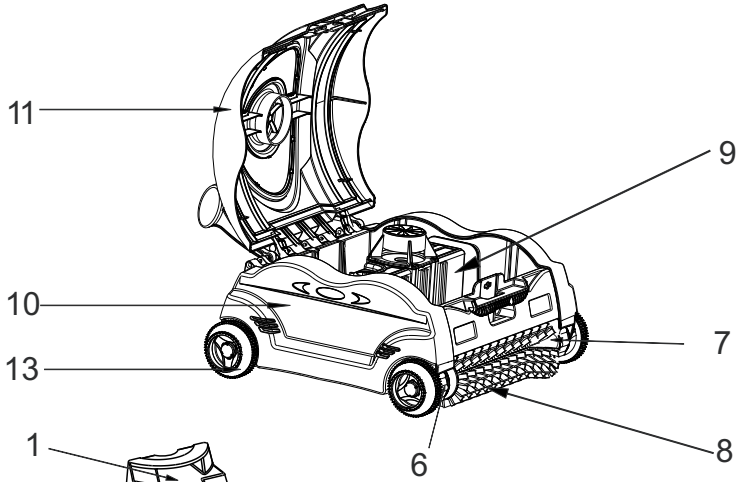
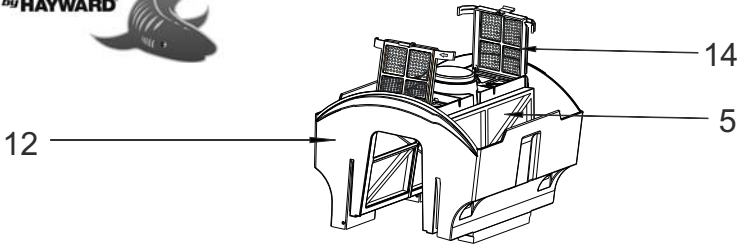
9. If the supply cord is damaged, it must be replaced by the manufacturer, its service agent or similarly qualified persons in order to avoid a hazard.

Caution: When pulling the cable, reel it in hand-over-hand - do NOT reel it around your arm.

DO NOT ENTER THE SWIMMING POOL WHEN THE SharkVAC IS OPERATING.

Optimum operating water temperature range for the **SharkVAC** is 50F - 95F (10°C á 35°C).

Remove the **SharkVAC** from the pool after each use. Keeping the **SharkVAC** permanently in the pool may result in additional service requirements.

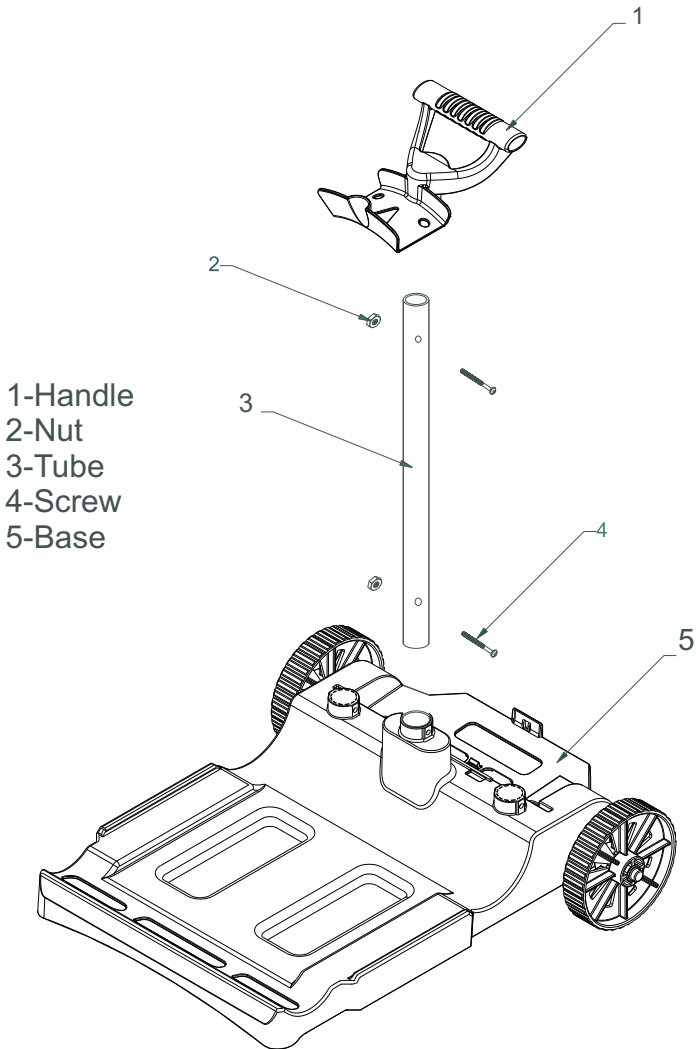


- | | |
|---------------------|----------------------|
| 1. Power Supply | 8. Wheel Brush |
| 2. Floating Cable | 9. Sealed Motor Unit |
| 3. Handle | 10. Side Panel |
| 4. On/Off Switch | 11. Dome Assy |
| 5. Filter Cartridge | 12. Filter Bucket |
| 6. Drive Track | 13. Wheel |
| 7. Wheel Tube | 14. Filter Door |



Caddy Cart Instructions – See Diagram

1. Caddy Cart will come partially assembled in the carton less the handle & tube. (1 & 3)
2. Insert the screw into the tube at the base of the caddy cart & secure with bolt (4)
3. Insert the handle into the top of the tube & insert the screw securing it with the bolt (1&2)

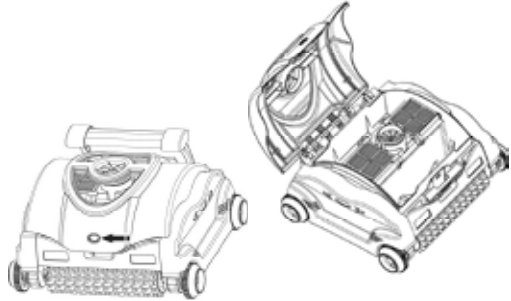




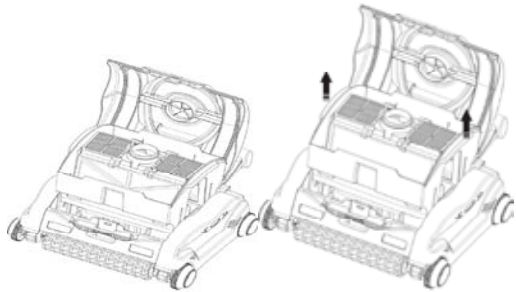
Maintenance

Clean the filter cartridge after each use:

- Open the SharkVAC by pressing the lid button & lifting up the dome cover.



- Remove the filter bucket assembly by lifting it up out of the SharkVAC with both hands from each side.



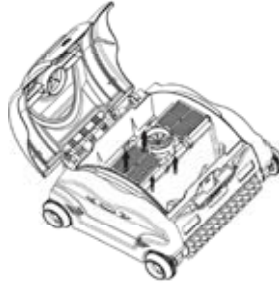
- Flip the bucket assembly over to remove the debris & then rinse with a garden hose to remove small particles. Filter cartridges do not need to be removed to clean.



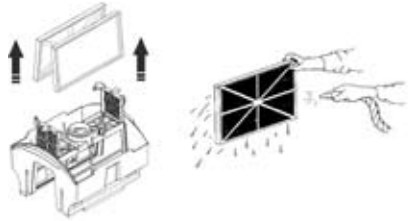


To Remove the filter cartridges:

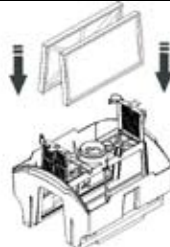
- **Unsnap and lift up both filter door latches.**



- **Pull out the filter cartridges. Using a garden hose with a spray nozzle, wash the filter elements to remove debris. Hold the filter elements as shown to allow the debris to fall out.**



- **Wash the entire filter bucket assembly. (Previously Shown)**
- **Place the filter cartridges back into the filter bucket assembly with the center frame reinforcements facing inward.**





- Snap the filter door latches into place.
- Return the filter bucket assembly into the SharkVAC using the diagram shown to determine the front & back.



- Close the SharkVAC dome and press the lid button to snap dome into place.



- Filter cleaning solution can be used to remove excessive dirt and/or sand.

Remember: The cleaner your filter is, the more efficient the SharkVAC will perform.

Periodic Cleaning of Moving Parts

⚠ WARNING: Disconnect the power supply from electrical outlet before cleaning moving parts.

- Inspect the venturi to ensure that no debris or hair has clogged the impeller.
- The impeller can be cleaned by spraying it with a garden hose

Remove any debris that has accumulated between the tracks and wheels

Storage

When out of the water, store the SharkVAC in a dry, shady location at temperatures between 40F - 115F (4°C á 46°C).

Cable Care

With continued use, the cable may become coiled (like a telephone cord). To correct this, periodically stretching the cord out in the sun should remove any cord twists.

IMPORTANT: The cable should be checked periodically for any external damage.



Important Tips

- Cleaning the filter cartridge after every use maximizes the unit's performance.
- Replace worn brushes.
- To avoid clogging the **SharkVAC's** filter elements, be sure all chemical powders are fully dissolved before operating the cleaner.
- In a pool with usually high calcium content, more frequent cleaning of the filter is recommended.
- Save the **SharkVAC** original carton for extended storage or shipping requirements should your **SharkVAC** require dealer service.
- **The sealed Motor Unit and the Power Supply contain no user-serviceable parts. Opening them will automatically VOID your warranty.**
- Remove items such as thermometer, toys and the like from the pool before operating the unit. Such items can jam the cleaner and cause damage to the unit and/or your pool.

Troubleshooting

If **SharkVAC** fails to pick up fine or heavy debris:

- Clean the filter. It may be clogged. A filter cleaning solution can be used to remove excessive dirt and/or sand

If **SharkVAC** starts working momentarily but then stops working:

- Impeller may be clogged or jammed with debris. Check and clean if necessary following the instructions in the maintenance section.
- Brush roller or drive tracks are stuck. Check for debris and clean if necessary.
- Cleaner performs by both timing and a pool wall detection sensor, which ever comes first.
- There are 3 intake ports located at bottom of filter bucket and near the brush roller. Intake ports located next to the roller help collect debris such as leaves and sand better than single intake.
- Fine debris such as sand may need a smaller intake port for stronger suction. E-VAC can create a stronger suction with a "high velocity flapper" that can be installed at intake port.



Troubleshooting (continued)

- For the cleaners used in areas that have a lot of sand the cleaner may need to be rinsed with water at all flapper (filter bucket's flapper is at intake port) areas and may need rinsing at the dome push button to allow free operation.
- Cleaner may get stuck if a high main drain is installed in the pool. Cleaner may remain lodged on the drain for a short period of time, but will eventually free it's self by virtue of the cleaner's embedded program.
- The filter bucket is designed to be cleaned with the filters installed for normal clean up. For deep cleaning, the user can remove each filter cartridge and clean separately.
- During the normal operating cycle of the cleaner, the handle side of the unit will rise from the pool bottom to allow the unit to clear obstacles, such as elevated main drains and stair steps.
- It is normal to see the cleaner ride the wall for a short period of time; this allows the unit to change position in the pool to assure full bottom coverage.
- Perception of cleaner performance: Confusion may exist over the perception of how the cleaner operates at different times during each cycle. It is important to judge the performance of the cleaner by observing improved pool cleanliness after the cleaner has run a complete cleaning cycle.
- If a cleaner has poor coverage of the pool in one cycle or only covers a small area, check the filter and clean if necessary and make sure the unit is not getting caught on drains, floor cleaning heads or toys. The user may try starting the cleaner in different locations to find the optimum cleaning location.
- If debris falls from cleaner while removing from pool, it may be caused by filter overload, increase frequency of filter cleaning. Assure that there is no large debris blocking any of the three intakes. Large debris must be removed from the pool before using machine. If drain flaps are out of place or stuck by sand or leaves in the open position, the flaps can be snapped back into place, after cleaning the area.
- Avoid dropping or throwing machine into pool. Place cleaner away from the pool wall but do not throw the cleaner in the pool.
- If the flotation cord gets twisted which can be caused by the cleaner getting stuck on large objects such as rocks, toys or main drains, it can be straightened by laying the flotation cord at full length (if possible) in the sun; heat from the sun will help reduce the twisting.
- If a high level of debris is visible through the dome windows, remove cleaner quickly from the water to reduce the chance of the debris escaping the filter bucket and re-entering the pool.



Specifications

Current Consumption	0.78 amps		
Weight (w/o cable)	21.5 lbs		
Cable Length, Type	50 ft		
Materials	High Impact ABS - Metal Parts of Non-Ferrous Stainless Steel		
Motor Unit	PUMP	DRIVE	PCB
Speed (rpm)	2,700	55	-
Voltage	24V DC	22V DC	5V DC
Current (amp)	2.62	0.63	-
Waterproof Sealing	Double Redundant Radial Shaft Seals & O-Rings.		
Motor Housing	Sealed, Watertight, High Impact Polypropylene		
Overload Protection	Electronic Overload Monitoring w/auto-shutoff.		
Filter			
Type	Removable, Re-Usable, Pleated Element Cartridge		
Media	Pleated Cellulose/Polyester Blend		
Cleaning Routine Control			
Type	Adaptive Seek Control Logic (ASCL™) Microprocessor		
Cleaning Cycle	2 hrs		
Drive System	Direct Drive w/Polyurethane Drive Track & Acetal/Stainless Steel Bearing System		
Power Supply			
Input Primary Voltage	110-120 volt AC		
Output Secondary Voltage	24V DC		
Rated Output Current	4 amps		
Weight	8.3 lbs		

Shipping			
SharkVAC	Length	Width	Height
Carton Dimensions	24	17	29
Shipping Weight with Caddy	49 lbs		
without Caddy	43 lbs		

IMPORTANT SAFETY INSTRUCTIONS

The SharkVAC automatic swimming pool vacuum cleaner has been manufactured with the highest degree of care and concern for safety. We suggest the following safety precautions become part of your pool safety regulations:

SAVE THESE INSTRUCTIONS

1. ALWAYS PUT THE MACHINE INTO THE WATER BEFORE CONNECTING IT TO THE ELECTRICAL OUTLET.
2. IT IS IMPORTANT FOR SWIMMERS' SAFETY TO REMOVE THE UNIT IMMEDIATELY FOLLOWING USE. THIS CAN ALSO IMPROVE THE OPERATING LIFE OF YOUR SHARKVAC.
3. BE CERTAIN THE MACHINE IS ONLY PLUGGED INTO A GROUNDED ELECTRICAL OUTLET EQUIPPED WITH AN APPROVED AND PROPERLY OPERATING GROUND FAULT CIRCUIT INTERRUPTER (GFCI).
4. DO NOT HANDLE MACHINE WHILE IT IS PLUGGED INTO THE ELECTRICAL OUTLET.
5. DO NOT USE AN EXTENSION CORD. THIS COULD CREATE A SAFETY HAZARD AND/OR DAMAGE YOUR CLEANER.
- 6. ALWAYS STAY OUT OF THE POOL WHILE CLEANER IS IN OPERATION.**
7. NEVER ALLOW PLUG TO ENTER THE POOL.
8. DO NOT OPERATE THE MACHINE OUT OF WATER. THIS WILL DAMAGE THE MOTOR SEAL AND VOID THE WARRANTY.
9. DO NOT DRAG THE MACHINE OUT OF THE POOL AGAINST THE SIDE WALL. THIS COULD DAMAGE UNIT AND/OR YOUR POOL WALL.
- 10. DO NOT BURY CORD. REPLACE DAMAGED CORDS.**
- 11. WARNING - TO REDUCE THE RISK OF INJURY, DO NOT PERMIT CHILDREN TO USE THIS PRODUCT UNLESS THEY ARE CLOSELY SUPERVISED AT ALL TIMES.**
- 12. IF THE SUPPLY CORD IS DAMAGED, IT MUST BE REPLACED BY THE MANUFACTURER, ITS SERVICE AGENT OR SIMILARLY QUALIFIED PERSONS IN ORDER TO AVOID A HAZARD.**

While the SharkVAC has been made to operate as safely as possible, we suggest you exercise reasonable care in the handling of the vacuum and inspect the electrical cord frequently for damage or wear, as with any other electrical appliance. After use, remove the unit and rinse with fresh water and remove any twists that may be present in the cord.



PREVENTATIVE MAINTENANCE

In order to maximize efficiency and receive long term service of your unit, we suggest the following:

- Thoroughly rinse entire unit after use.
- Clean filters thoroughly after each use—a clogged filter can decrease efficiency dramatically.
- Remove any twists in the cord after each use. Twisting should be minimal if the unit is functioning properly. Laying cord, straightened out in sunlight is helpful.
- Avoid allowing the unit to “cool down” in the water.
- Inspect belts and filter frequently. Replace when necessary.

PROTECT YOUR INVESTMENT!

Following these quick and easy steps will extend the life and efficiency of your AquaVac. If you have any questions, contact your local Service Center or call us at 1-800-327-0141, Monday - Friday, 8:30 a.m. - 5:30 p.m. EST.

PARTS ORDERING INSTRUCTIONS

Should you desire to order repair parts, follow this simple procedure:

1. Determine each of the parts you will need and identify them by part number. Use this book as a guide, be sure to note due to continual product improvement, parts may vary depending on the year of manufacture.
2. Contact your local Factory Authorized Service Center with the list of parts you will need. Be sure to advise the Service Center of the AquaVac serial number and the date of purchase. If you need the location of your nearest Service Center, please call AquaVac Pool Cleaners, 1-800-327-0141 or 561-688-0211. Or visit our website at www.aquavacsystems.com.
3. All parts under unconditional warranty are confined to the specific limitations as stated.



- NOTES -



- NOTES -

SHARKVAC™
ROBOTIC POOL CLEANER

HAYWARD Pool Products
One source. Every pool.



An innovative cleaner with plenty of bite.

Introducing the newest addition to the TigerShark® family of cleaners. Hayward's SharkVAC™ is built with proven TigerShark technology and high-quality components. A sleek, low-profile design and top-access filter cartridge are a few of the great features that give the new SharkVAC added bite.



Pumps

Filters

Heaters

Safety

Cleaners

Lighting

Controls

Electronic Chlorine
Generators

Total System

AQUAVAC®
A HAYWARD COMPANY

1711 Longwood Road, West Palm Beach, Florida 33409
USA Toll Free 1-800-327-0141 • (561) 688-0211 • Fax (561) 688-0217
E Mail: info@aquavacsystems.com
www.aquavacsystems.com or www.haywardnet.com