

Turbo Twister®

This thrill-ride pool slide is designed with curves and dips that guarantee hours of fun for the entire family.

- 8'7" in height (7'1⁵/₈" to seat)
- Available with a right or left curved flume
- Accommodates sliders up to 275 lbs/124kg
- Sturdy rotomolded construction for strength and durability
- Enclosed ladder and molded handrail design for maximum safety
- Designed for quick and easy assembly
- 25 gpm max. water delivery system can be plumbed through the pool's return line or connected to a garden hose
- Simple deck mounted installation
- Intended for in-ground residential swimming pools only



Slide Color



SANDSTONE



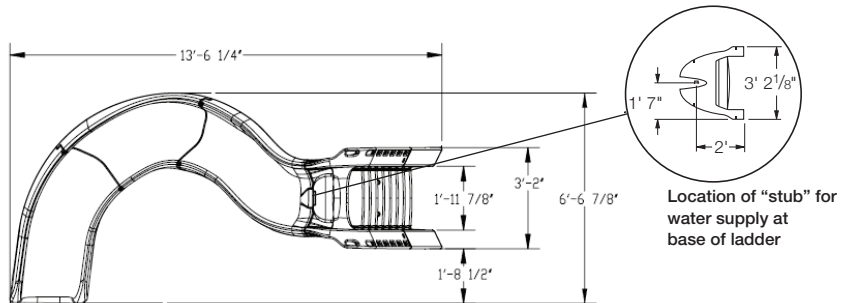
GRAY GRANITE

Due to printing technology, actual color may differ.

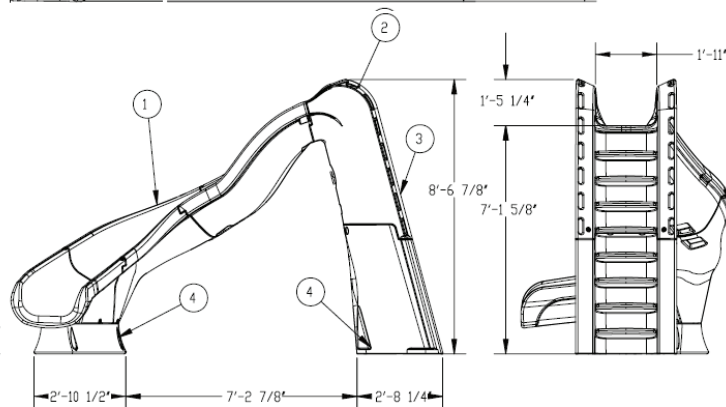
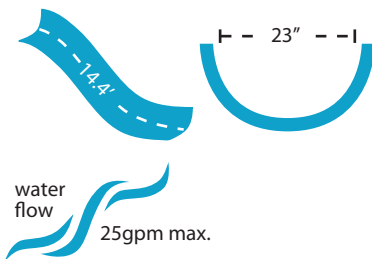
Adult supervision required at all times when children are using this slide.

Model No.	Description	Shipping (2 Cartons- 1 Pallet) - Class 300			
		Weight	Length	Width	Height
688-209-58123	Sandstone*, Right Curve	CARTON 1 (TOP)			
		140 lbs	61"	40"	29"
		63kg	154cm	102cm	74cm
688-209-58223	Sandstone*, Left Curve	CARTON 2 (BOTTOM)			
688-209-58124	Gray Granite*, Right Curve	257 lbs	61"	40"	70"
		116kg	154cm	102cm	178cm
688-209-58224	Gray Granite*, Left Curve	TOTAL ON PALLET: 427 LBS - 61x40x103			

* Gray Granite and Sandstone slides are not an exact match with Gray Granite or Sandstone diving boards & stands due to differences in material. Please consult your sales representative for more details.



Flume Details



All S.R.Smith, LLC swimming pool slides fully comply with Consumer Products Safety Commission (CPSC) mandatory safety Standard for Swimming Pool Slides (16 CFR 1207) and are certified by independent third party testing labs. The installer or end-user is responsible for complying with local building codes for the location, installation, construction or assembly of these slides. S.R.Smith, LLC makes no representations that the location, installation, construction or assembly of its slides meet local building codes.

