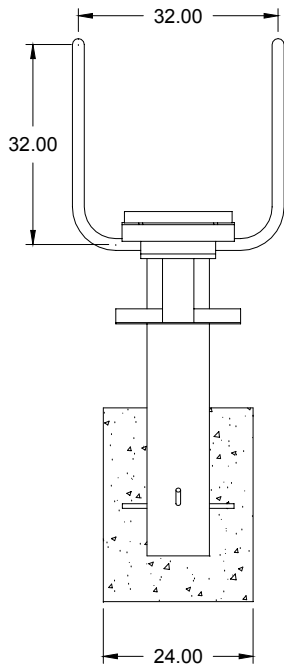
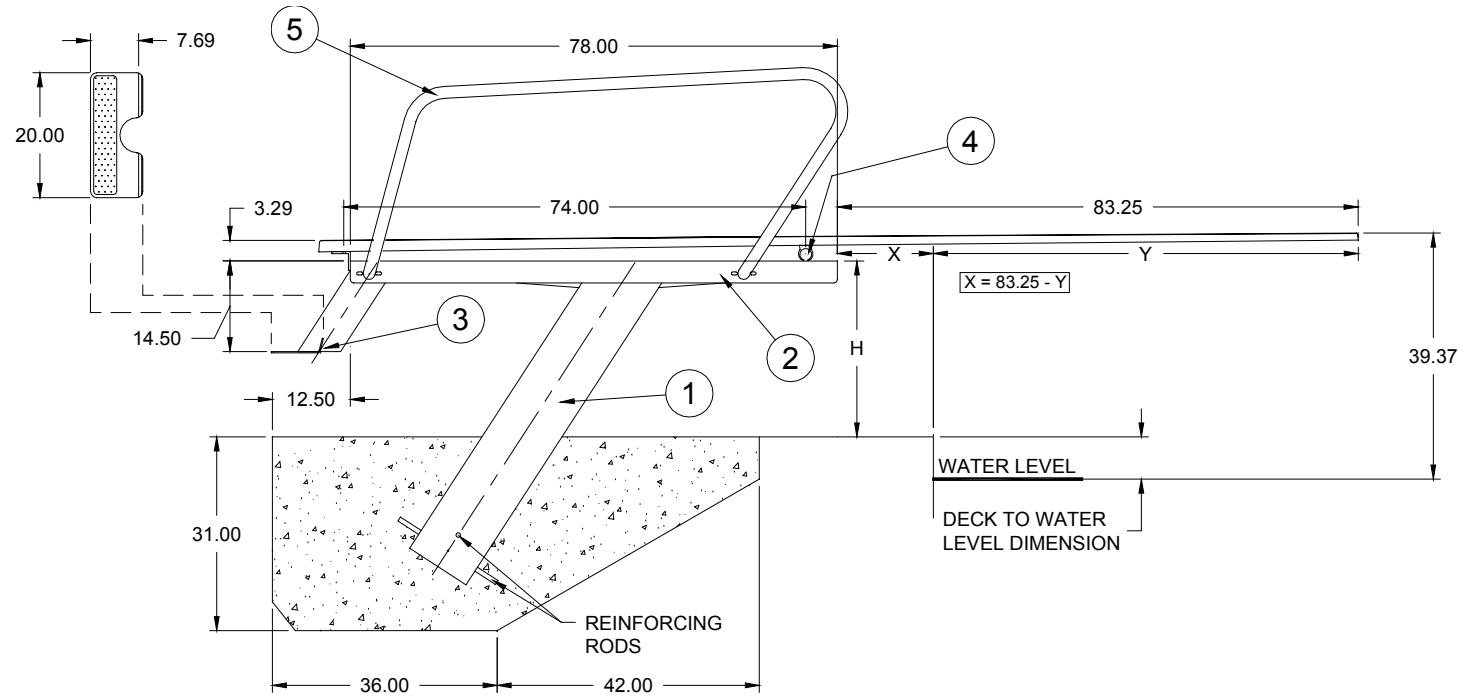


1-Meter Econoline Diving Stand (14 ft Boards)



HEEL VIEW



SIDE VIEW

TO LOCATE THE TOP OF THE TRAY ABOVE THE DECK (H),
 SUBTRACT THE DECK TO WATER LEVEL DIMENSION FROM
 34".
 ALL CONCRETE DIMENSIONS ARE MINIMUM.

NOTE:
 Diving boards (including spring boards, jump boards, and starting platforms) shall be installed only on pools meeting or exceeding the minimum requirements for the various pool types as outlined in the current edition of ANSI/NSPI-1 (for Public Pools). In addition, all installations must meet or exceed applicable local codes with installation accomplished in accordance with S.R. SMITH written instructions. SR SMITH CANNOT GUARANTEE CUSTOMER'S CONCRETE OR THICKNESS.

Specification Number:	SRS-411		
Product Description:	1-Meter Econoline Diving Stand (14 ft Boards)		
S.R. Smith Part Number:	E-CAT-1M-101	Scale:	NTS
Revision:	A	Date:	04/30/03
Written By:	T. Weil	Date:	04/30/03
Approved By:	B. Bisceglia	Date:	05/05/03
Page 1 of 2	Proprietary and confidential: The information contained in this specification is the sole property of S.R. Smith LLC. Any reproduction in part or whole without the written consent of S.R. Smith LLC is prohibited.		

S.R. Smith, LLC
P.O. Box 400, 1017 SW Berg Parkway
Canby, Oregon 97013
Tel: (888) 677-7776 (503) 266-2231
Fax: (503) 266-4334
www.srsmith.com



S.R. Smith LLC Commercial Division

Product Specifications - Written

Product Name: 1-Meter Econoline Diving Stand (14 ft Boards)

Part Number: E-CAT-1M-101

General Notes:

The **1 Meter Econoline Diving Stand** measures 1 meter (39.4) from the top of a properly installed board to water surface and is designed for moderate to heavy-duty use on commercial pools. All steel components are constructed from carbon steel and are primed ready for paint topcoat. Handrails are required for all 1meter stands and must be ordered separately. The E-CAT-1M-101 stand is to be used with 14' (4.27m) boards.

Application:

Depending upon installation design and local codes, these models are suitable for use on commercial pools. Site and installation requirements will determine the actual stand sizes and board lengths.

Specifications:

- 1 **Support Column:** The support column is constructed of 10" (254.00mm) schedule 20, carbon steel pipe. It slopes 33° from vertical and mounts directly into the pool deck. It is primed and ready for topcoat.
- 2 **Tray:** The tray is formed from carbon steel and is 1/4" x 12" wide x 78" long (6.35mm x 304.80 x 1828.80) and is reinforced with 1/4" thick front and rear gussets. The tray has two (2) 6" (152.40mm) slots for fulcrum adjustment. A tie down angle made of 5/16" x 3" x 18" long (7.94mm x 76.20 x 457.20) steel is welded to the heel end of the tray and has two (2) 9/16" (14.28mm) drilled holes on 12" (304.80mm) centers for mounting the diving board. The assembly is primed and ready for topcoat.
- 3 **Tread Support and Tread:** The tread support is constructed of 5" (127.00mm) schedule 40 carbon steel pipe. The step is welded to the pipe and is covered with a self-adhesive non-slip pad. The assembly is primed and ready for topcoat.
- 4 **Fulcrum:** The fulcrum for the 1 Meter Diving Stand is made of 1-1/2" (38.10) schedule 40 carbon steel and is 20" (508.00) long. A white rubber cover slides over the fulcrum. Two (2) 3/8" (9.53mm) diameter studs on 6" (152.40mm) centers are welded to the pipe for securing to tray.
- 5 **Handrails** (p/n 25-106): The required handrail used on this stand is constructed of 1.90" O.D. x .065 wall (48.25mm x 1.65) type 304 stainless steel (order separately).

Additional Product Numbers: N/A

Shipping weight: 285 lbs (129kg)

Specification Number:	SRS-411	
Product Description:	1-Meter Econoline Diving Stand (14 ft Boards)	
S.R. Smith Part Number:	E-CAT-1M-101	
Revision:	A	Date: 04/30/03
Written By:	T. Weil	Date: 04/30/03
Approved By:	B. Bisceglia	Date: 05/05/03
Page 2 of 2	Proprietary and confidential: The information contained in this specification is the sole property of S.R. Smith LLC. Any reproduction in part or whole without the written consent of S.R. Smith LLC is prohibited.	

S.R. Smith, LLC
P.O. Box 400, 1017 SW Berg Parkway
Canby, Oregon 97013
Tel: (888) 677-7776 (503) 266-2231
Fax: (503) 266-4334
www.srsmith.com