

## MODEL# SLD "SNAP - LOCK" IN-POOL DECK LADDER

MODEL # SLD

**IMPORTANT INSTRUCTIONS:** Read all instructions carefully & completely to become familiar with parts, assembly, safety and proper use of this product. Failure to follow these instructions may result in serious personal injury. **SWIM RESPONSIBLY & SAFELY !**

**TOOLS REQUIRED:** 7/16" socket, nut driver & wrench, measuring tape, Phillips (star) screwdriver, 1/8" + 1/4" drill bits & drill, pencil or marker, rubber mallet and a hole saw.

### SAFETY INSTRUCTIONS & PROPER USE - ASSEMBLY & INSTALLATION

- This pool ladder has a 300 lb load capacity - one person - when properly assembled & installed
- This pool ladder is designed & intended for use with an above ground pool only and for pool decks measuring a maximum of 60" high (from the floor of the pool to the floor of the deck)
- Your pool has shallow water - absolutely **NO DIVING** or **NO JUMPING** into the pool
- This product conforms to the latest revisions of the ANSI/APSP/ICC recommended standards for above ground / on ground swimming pool ladders
- For entry & exit of the pool, face ladder at all times. Utilize handrails for safe climbing
- **Warning:** To prevent entrapment or drowning, do not swim through, behind or around ladder
- Locate ladder solidly on bottom / floor of pool and free from high traffic areas on your pool deck. Use of a ladder pad is highly recommended to protect pool liner
- Ladder must be secured to pool deck for stability & safety as outlined in this assembly manual
- Keep all ladder parts free from obstructions to avoid possible injury. Do not secure any items to the ladder. Such objects (eg. thermometers, play toys, ropes) may create a potential for tripping or entrapment
- **NEVER ALLOW CHILDREN TO SWIM UNATTENDED** - Nothing replaces parental supervision
- Assemble & install this pool ladder as per the manufacturer's instructions. Do not deviate from these instructions



### IDENTIFY PARTS

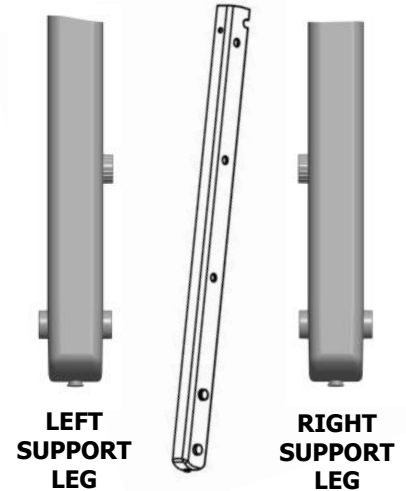
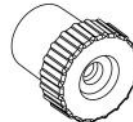
Identify all parts (ladder & hardware) to make certain you have everything and that they are free of any damage. Contact manufacturer without delay if something is missing or damaged.



LEFT  
HANDRAIL

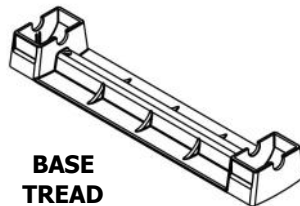
RIGHT  
HANDRAIL

TREAD  
LOCK PINS  
x 6



LEFT  
SUPPORT  
LEG

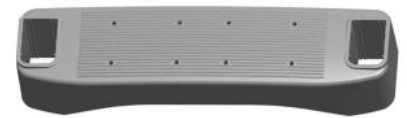
RIGHT  
SUPPORT  
LEG



BASE  
TREAD



DECK  
MOUNT x 2  
FLANGE



TREADS x 4

Note: for part identification and assembly, LEFT & RIGHT are always determined as if you are facing the ladder about to climb.

**MAKE CERTAIN TO READ ALL INSTRUCTIONS CAREFULLY & IDENTIFY ALL PARTS BEFORE STARTING THE ASSEMBLY & INSTALLATION OF THIS POOL LADDER. FOR WARRANTY INFORMATION PLEASE VISIT OUR WEBSITE. REVIEW SAFETY INSTRUCTIONS BEFORE USE TO PREVENT INJURY.**

**FOR ALL REPLACEMENT PARTS VISIT OUR WEBSITE**

**WWW.VINYLOWORKSCANADA.COM**



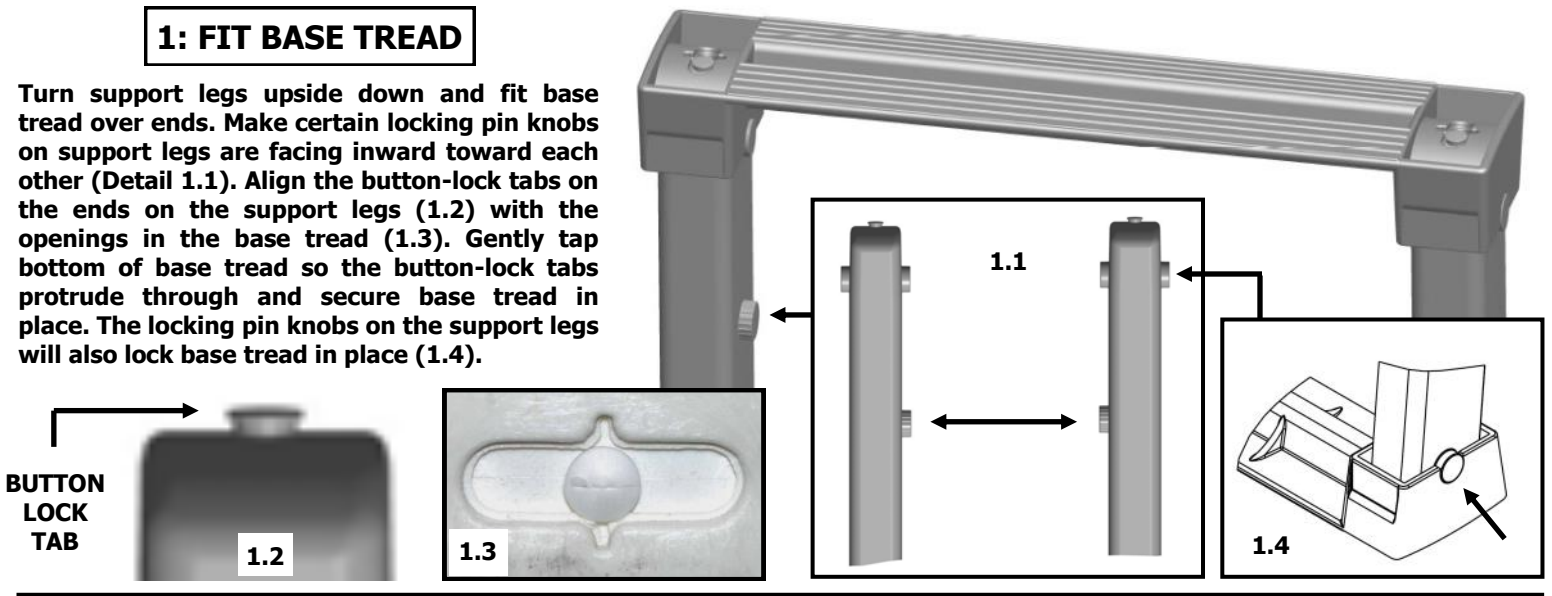
877-VINYL WK



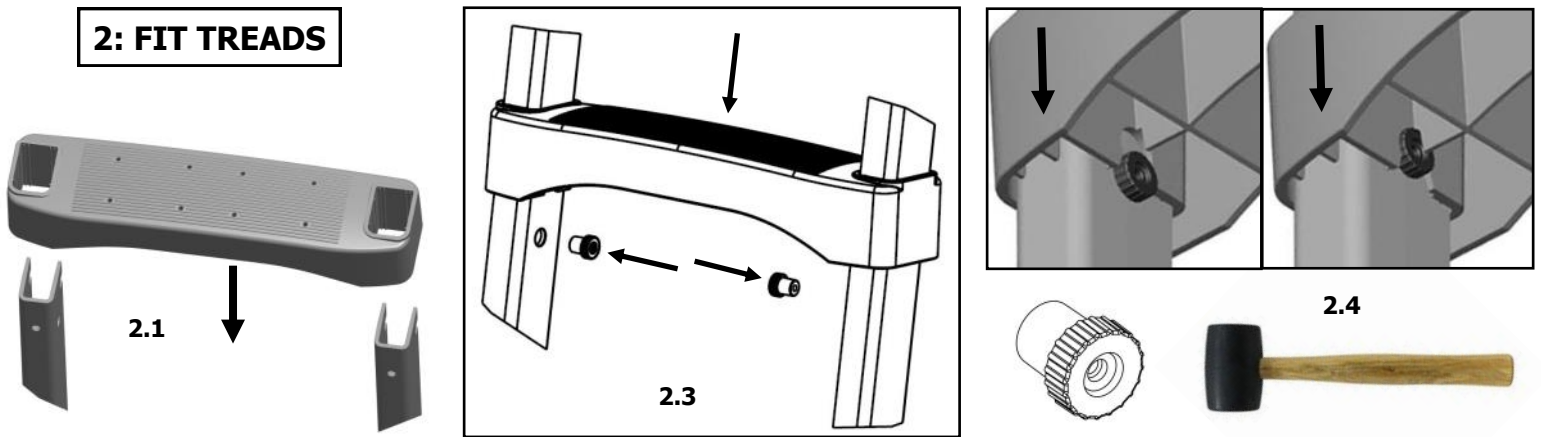
[www.vinylworkscanada.com](http://www.vinylworkscanada.com)

## 1: FIT BASE TREAD

Turn support legs upside down and fit base tread over ends. Make certain locking pin knobs on support legs are facing inward toward each other (Detail 1.1). Align the button-lock tabs on the ends on the support legs (1.2) with the openings in the base tread (1.3). Gently tap bottom of base tread so the button-lock tabs protrude through and secure base tread in place. The locking pin knobs on the support legs will also lock base tread in place (1.4).

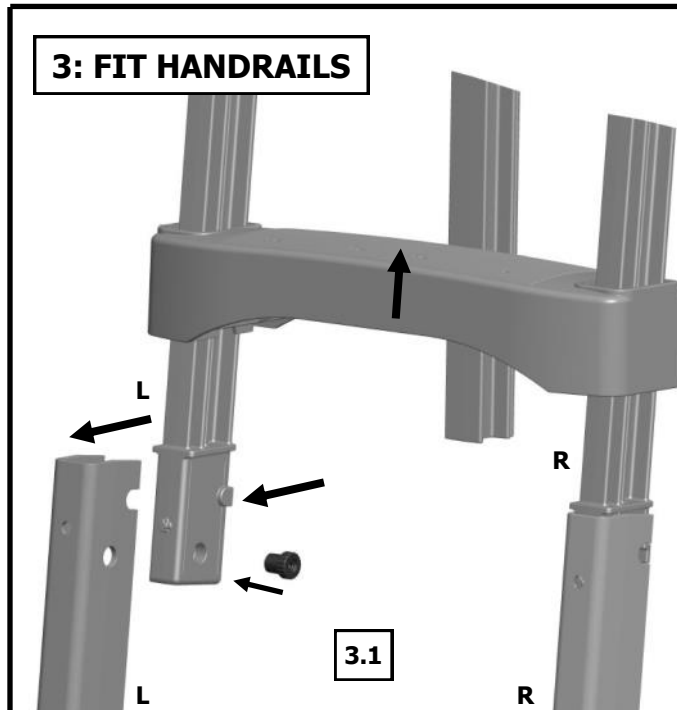


## 2: FIT TREADS



Fit three (3) treads onto / over support legs from top with anti-skid surfaces facing up (Detail 2.1 & 2.2). Slide the first tread downward and snap and lock it in place over the tread lock pins molded on the bottom of the support legs. Use a rubber mallet and gently tap top of tread so it snaps and locks into place (2.4). For the second and third treads, fit tread lock pins entirely into the round holes on the support legs (2.2 & 2.3) and slide treads downward. Similarly, snap and lock treads in place (2.4)

## 3: FIT HANDRAILS

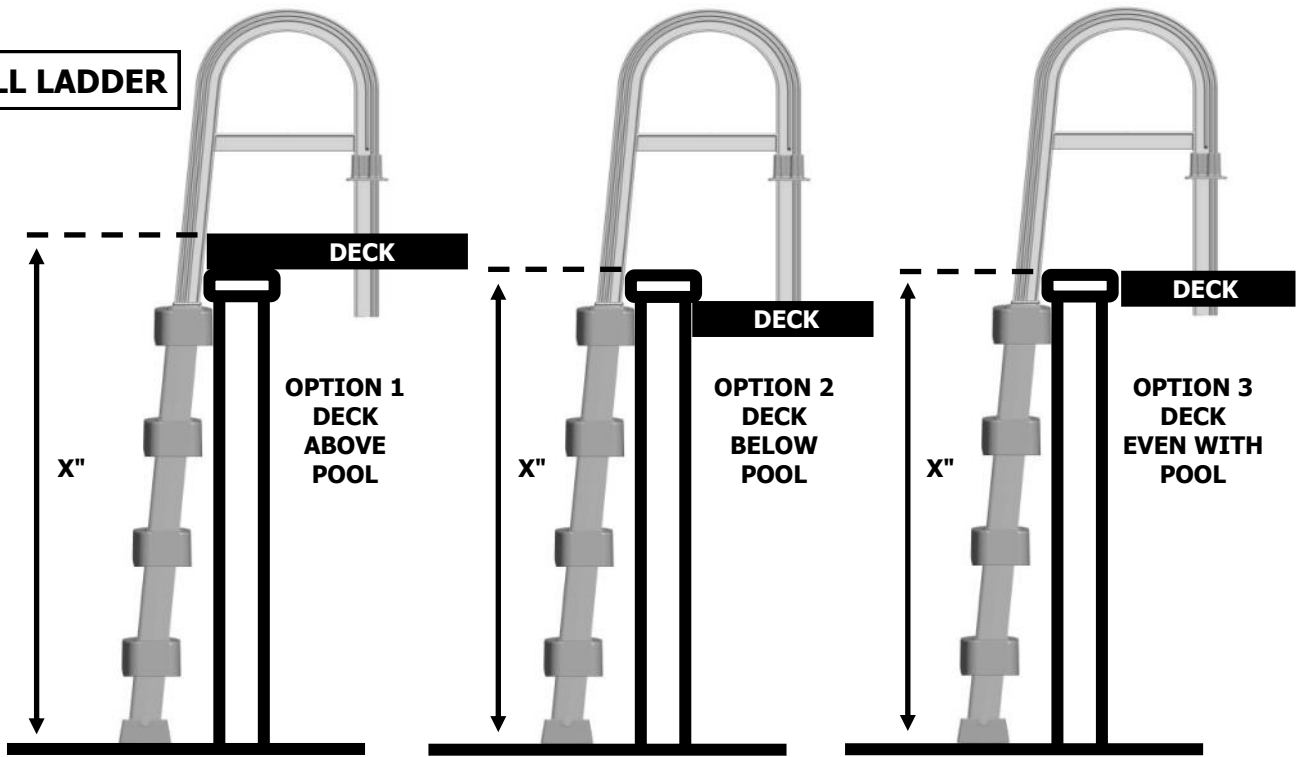


Fit last tread onto / over ends of left (L) and right (R) handrails with the anti-skid surface on the top and slide upwards out of the way (Detail 3.1). Fit the bottoms of the left and right handrails into the top of the support legs, from the back. Each handrail has three knobs that fit into holes on the support leg. Fit these tightly and repeat for both handrails. Fit a tread lock pin through the round holes in both the left and right support leg and into each handrail entirely. Similar to above, slide the tread downward and snap and lock the tread in place over the tread locking pins. Double check that all treads are securely in place and locked over all tread lock pins.

**REMEMBER ~ ALWAYS SWIM SAFELY ~ NEVER JUMP OR DIVE INTO THE POOL ~ NOTHING REPLACES PARENTAL SUPERVISION**

## 4: INSTALL LADDER

4.1



There are three (3) options for pool decks in relation to your pool: deck built above pool, deck built below pool and deck built even with pool (Detail 4.1). Whichever applies to your situation; measure the depth of the pool to either the top of the deck surface or to the top of your pool. Save this measurement. Position your assembled ladder against a straight wall (4.2) with the handrails flat against the wall so the ladder stands upright and plumb. Transpose the saved measurement to the inside of your handrail (4.2 - measurement  $x''$ ). Measure the horizontal distance across from this point to the inside of the opposite handrail surface (measurement  $x_1''$ ). Transpose this measurement to your deck from the front edge (4.3). Cut either two round or square holes in your deck surface at 20" centers for your handrails to pass through (4.4 & 4.5). This is important as it gives the ladder far more strength, rather than cutting the handrails. Make certain to measure accurately and double check. Fit deck flanges onto handrails (4.6) and install ladder into pool and deck, passing handrails through holes in deck. Make certain ladder is firmly positioned on bottom of pool. Slide deck flanges down to deck surface. Drill a 1/4" hole at scribe line through flanges and handrail (4.8). Secure connection with bolt, washer and nut (4.9). Secure flanges to deck surface with screws provided (4.9). If desired or required, you can rotate base tread of ladder so it sits flat on pool floor (4.10).

