



MaxFlo VS™

VARIABLE-SPEED PUMP SERIES



With industry-leading energy savings, your favorite pump just got even better.

With energy savings of up to 80% over single-speed pumps, MaxFlo variable-speed pumps from Hayward® are the drop-in upgrades that pay for themselves faster than larger, more expensive models. MaxFlo VS 115V provides maximum energy efficiency for 115-volt applications, and MaxFlo VS 230V's all-in-one controller compatibility allows it to work in standalone mode or integrated with any automation system, including Hayward OmniLogic®. Add up all of MaxFlo VS pumps' valuable features and you'll get greater savings than any other pump on the market—in fact, purchasing one also qualifies you for rebates from your energy service provider (where offered). Visit Hayward.com/VSPRebates for a complete listing.





The intuitive control interface rotates to four positions on the pump, so it's always easy to read and operate.

4-Position Digital Programmable Control Interface
Includes customizable speed and timer functions and monitors power consumption to maximize energy savings.

Advanced Motor Design
Permanent magnet, totally-enclosed fan cooled (TEFC) design provides unparalleled energy efficiency and reliability.



Aligns with the entire MaxFlo™ line for seamless retrofit installations

See-Through Strainer Cover
Easy to see when the basket requires cleaning.

All models include 1½" x 2" union connections

Self-Priming Capability
Suction lift up to 8' above water level.

Latest hydraulic design for increased efficiency and priming ability

Incredibly quiet operation, especially at lower, energy-saving speeds.

Perfectly sized for superior savings.

Upgrade and save.

Designed as easy drop-in upgrades, MaxFlo VS™ pumps pay for themselves faster than larger, more expensive variable-speed models. Whether your pool is wired for 230V or 115V, MaxFlo VS pumps give you valuable variable-speed savings without costly electrical updates.

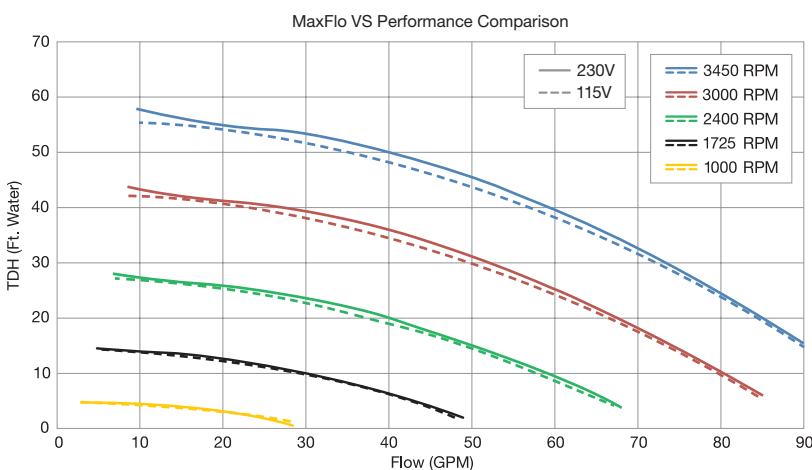
The ultimate in energy-efficient design.

No feature saves pool owners more money than super-efficient permanent magnet motors like the ones in every MaxFlo VS pump. MaxFlo VS 115V is the most energy-efficient pump of its kind, according to EPA ENERGY STAR® third-party testing, and both MaxFlo VS models provide up to 80% energy savings over single-speed pumps.



Easy operation in any environment.

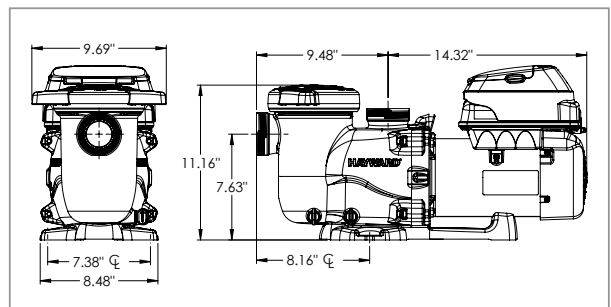
Designed with all-in-one compatibility, MaxFlo VS pumps are easy to connect to any automation system, either directly or with relays. The intuitive control pad can be turned in four directions or removed and wall-mounted, and a rotatable user interface ensures that you can always see what you're doing.



MaxFlo VS Features & Benefits

- With right-sized design, they pay for themselves faster than larger, more expensive models.
- All-in-one controller compatibility works in standalone mode or with any automation system via relay control; 230V model can also connect directly to Hayward® automation, including OmniLogic®.
- Built with a permanent magnet motor for up to 80% energy savings over single-speed pumps.
- Integrated, programmable, rotatable digital interface with 24-hour clock and up to 8 custom timer functions.
- Optional wall-mount kit available to remotely locate the pump user interface.

MaxFlo VS Dimensions (Inches)



MODEL NUMBER	STAND ALONE	RELAY CONTROL	HAYWARD AUTOMATION	TOTAL HP	VOLTAGE
SP2303VSP	•	•	•	1.65	230V Single Phase
SP23115VSP	•	•		0.85	115V Single Phase

MaxFlo VS pumps are listed by:

To take a closer look at MaxFlo VS or other Hayward products, go to hayward.com or call 1-888-HAYWARD.

Hayward and OmniLogic are registered trademarks and MaxFlo and MaxFlo VS are trademarks of Hayward Industries, Inc. © 2016 Hayward Industries, Inc. ENERGY STAR is a registered trademark owned by the U.S. government. All other trademarks not owned by Hayward are the property of their respective owners. Hayward is not affiliated with or endorsed by those third parties.

