



Aqua Creek Products

THE LEADERS IN RECREATION, FITNESS AND ABILITY!



Item# F-800SC2

ADA Solution For Existing Anchors

The NEW Scout 2 pool lift features an adjustable seat pole, robust base and a stronger actuator. These upgrades allow for a weight capacity of 375 pounds. This pool lift will accommodate most existing anchors by utilizing adapter sleeves. The optional pull-out leg rest may be used for greater clearance on raised pool and spa applications.



U.S. Patent No.
D507,769 S

FEATURES:

- 375 lb* (170 kg) weight capacity
- Independently verified to ADA standards
- Setback range 19" to 35" (48 to 89 cm)
- Adaptable to most existing 6" deep anchors
- 360° powered rotation
- Rechargeable battery with wall mount charger
- 5 year structural warranty
- 5 year pro-rated electronics warranty



ACCESSORIES:

- **Anchor, standard** (additional) - **Item #F-808SA**
- **Chest strap** - **Item #F-423CS**
- **Headrest** - **Item #F-422PLH-2**
- **Lockable cover** - **Item #F-450BL-C**
- **Pull-out leg rest** - **Item #F-105LAR**
- **Solar charger** - **Item #F-045SCH**
- **Transport cart** - **Item #F-814SCTC**
- **Upgrade pack** - **Item #F-800SCAP**
Includes battery, headrest, chest strap & cover

*300 lb (136 kg) capacity when used with plastic sleeve anchor adapters

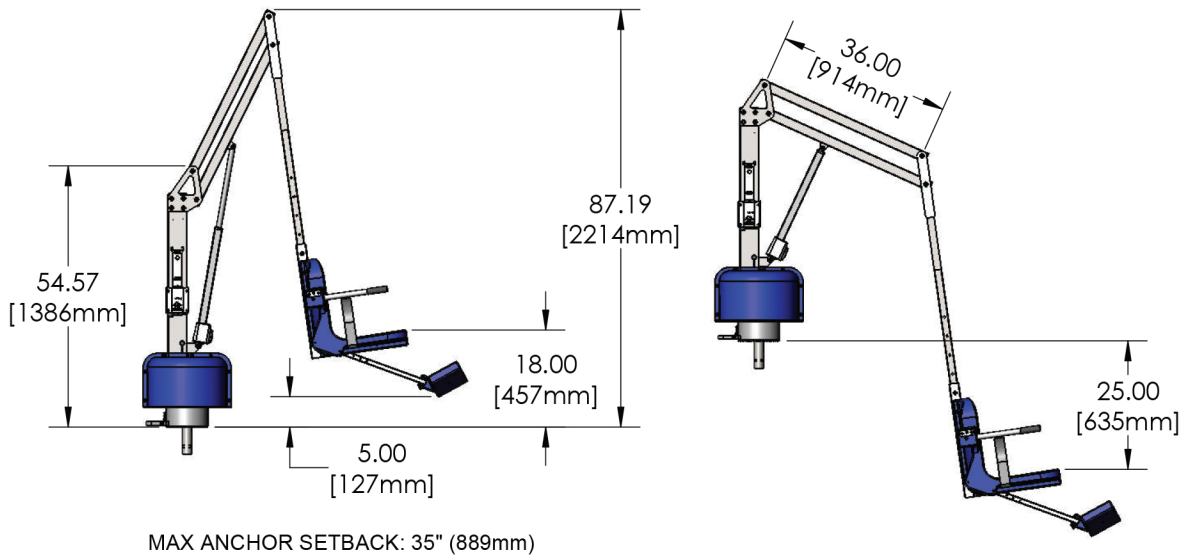
PROUDLY SOLD BY:

ADA COMPLIANT

The Scout 2 Lift

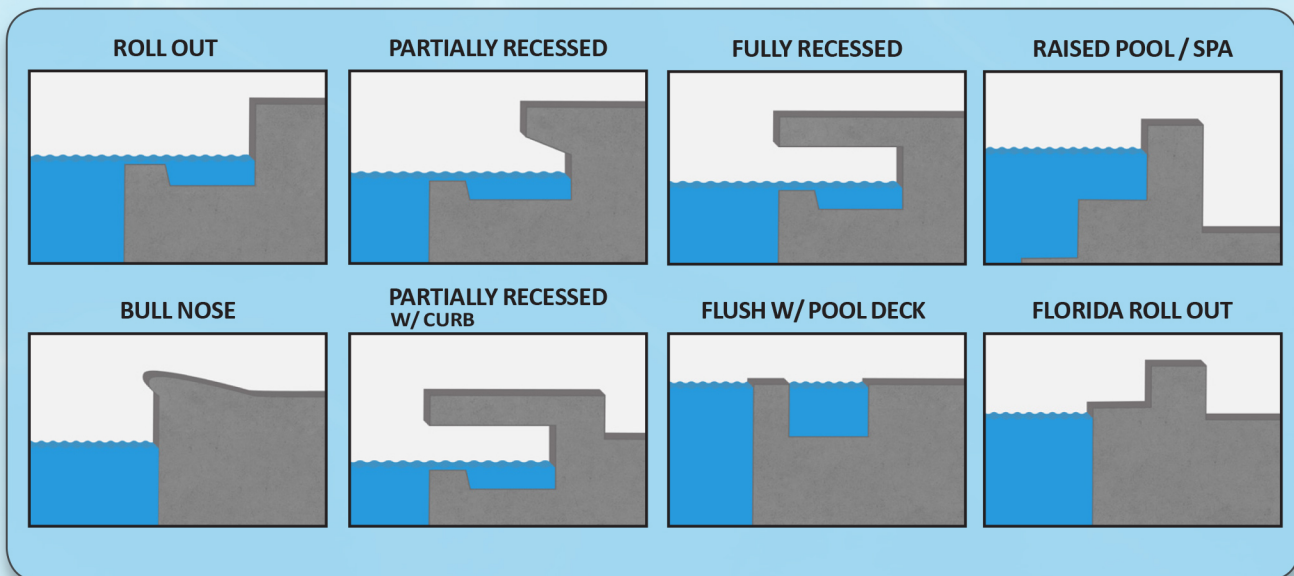
The Scout 2 Lift

PRODUCT SPECIFICATIONS



**general dimensions for standard version*

APPLICABLE POOL PROFILES



To confirm specific application go to www.aquacreek.com for our **Pool Lift Selector**.



Become a member of our new **Dealer and Architect** page. Access to CAD blocks, CSI specs and sales materials.