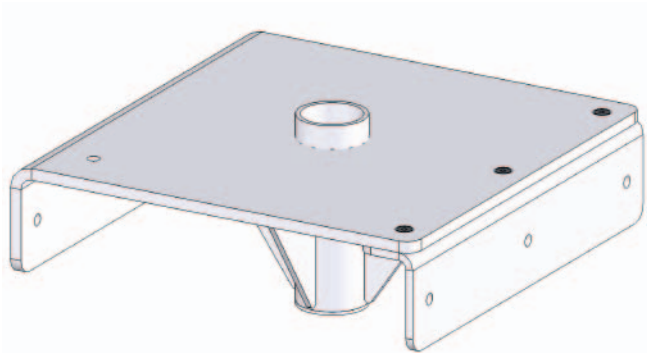


Scout Series Wood Deck Anchor



PART #: F-842SWDA

MANDATORY – LEAVE THIS MANUAL WITH LIFT OWNER



Read & follow all instructions
Lift safety can only be ensured if the anchor
is installed according to these instructions



NEVER permit children to play on or around the lift
Do not allow children to use the lift without adult supervision



NEVER apply direct water pressure to the electronics



NEVER use the lift with a dry pool



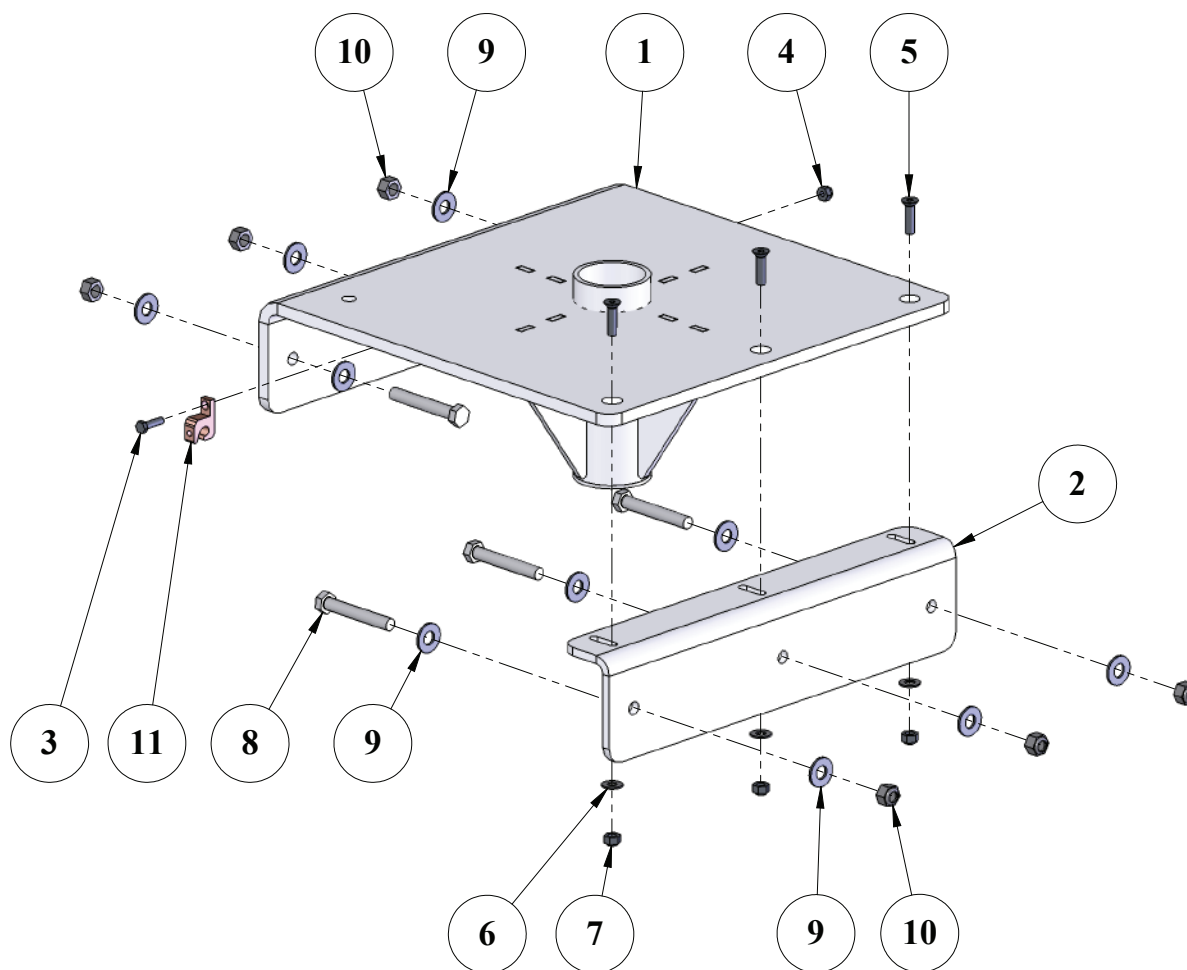
For safety reasons, **NEVER** swim alone

9889 Garrymore Ln
Missoula, MT 59808
888-687-3552 | +1-406-549-0769
aquacreek.com



SAVE a copy of these instructions

Parts List



ITEM #	QTY	PART #	DESCRIPTION
1	1	SWDA-100-30	SCOUT WDA MAIN WELDMENT
2	1	SWDA-120-10	SCOUT WDA MOUNTING BRACKET
3	1	BH 10 X 3/4	BOLT, 316 SS, 10-24 X 3/4 HCS
4	1	NN 10	BUT, 316 SS, NYLOCK, #10-24
5	3	BC 1/4 X 1	BOLT, 316 SS, 1/4-20 X 1 FHSCS
6	3	WF 1/4	WASHER, FLAT, 1/4, 316 SS
7	3	NN 1/4	NUT, 316 SS, NYLOCK, 1/4"-20
*8	6	BH 3/8 X 2-1/2	BOLT, 316 SS, 3/8-16 X 2 1/2 HCS
*9	12	WF 3/8	WASHER, FLAT, 3/8, 316 SS
*10	6	NN 3/8	NUT, 316 SS, NYLOCK, 3/8"-16
11	1	GBL-4DB	LUG, IN GROUND GROUNDING LUG

*Hardware is not supplied since the type and length of bolt may vary depending on your particular application. Depending on the accessibility to your deck joists, you will need to source the proper length 3/8" stainless steel hex bolts to drill through the joist(s) and secure with nuts and washers or 3/8" stainless steel lag bolts. Aqua Creek recommends type 316 Stainless on all individually sourced hardware if available.

Installation Instructions

This product has been tested, and is only intended for use on a wood deck where the joists are located 16" on center. Modification of the deck may be required. Do not use this product for situations it was not intended for.

For commercial applications, refer to the required clear deck space and other measurements in FIG 2 at the bottom of the page.

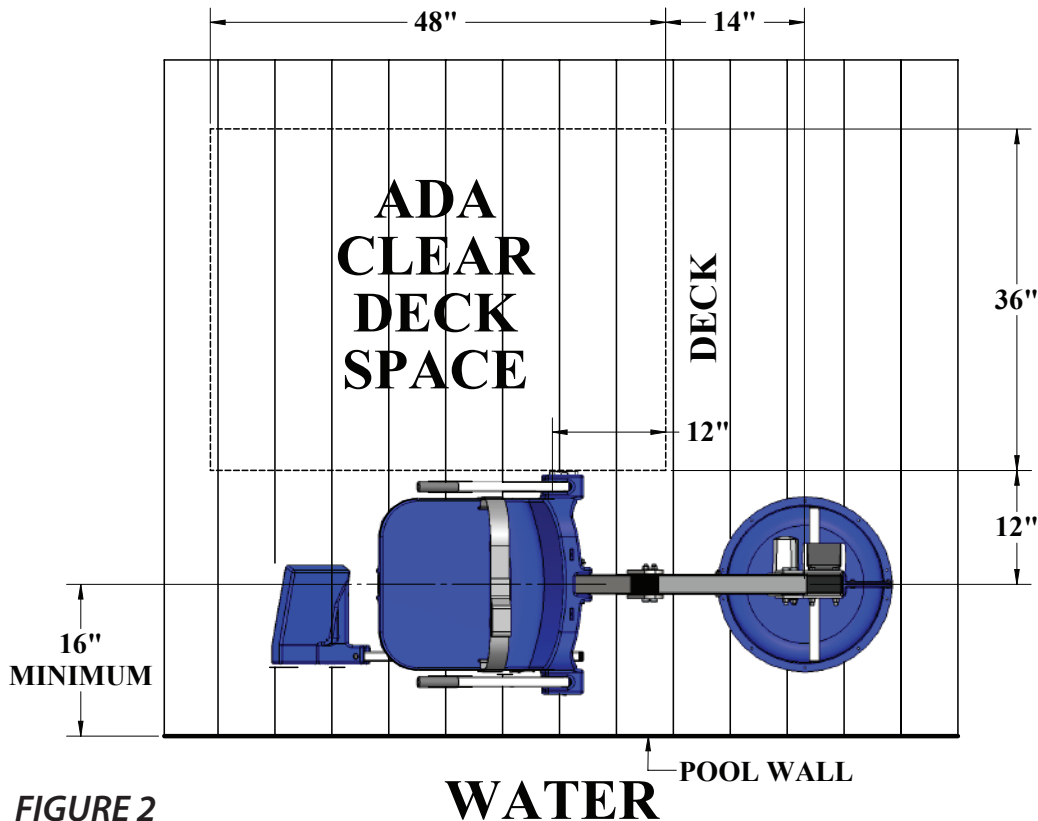


FIGURE 2

WATER

Refer to FIG 3 on the next page for the following step-by-step instructions:

1. Find a location between two joists to safely drill a 2 1/2" to 3" hole for the main anchor assembly. Mark the center of the hole.
2. Before drilling the main hole, measure 5 1/4" over and 5 1/4" down (See FIG 3 on page 4) and mark the 5/8" hole center for the fixing anchor.
3. Drill the holes through the deck surface.
 - a. The fixing anchor hole can be done in the next step if you prefer to allow for better alignment of the holes. Mark the hole from the bottom and drill up instead.
4. Adjust the width of the bracket to fit snug between the joists and push the anchor assembly up through the main hole. Make it fairly tight so the anchor assembly stays in place while the next holes are marked.
5. Mark the center of the six (6) holes for the mounting brackets.
6. Remove the anchor assembly and drill the holes with a 1/2" drill bit.
7. Re-insert the anchor assembly and secure in place using the 3/8" stainless steel bolts, washers and lock nuts sourced locally.
8. Bond the anchor according to local code requirements.

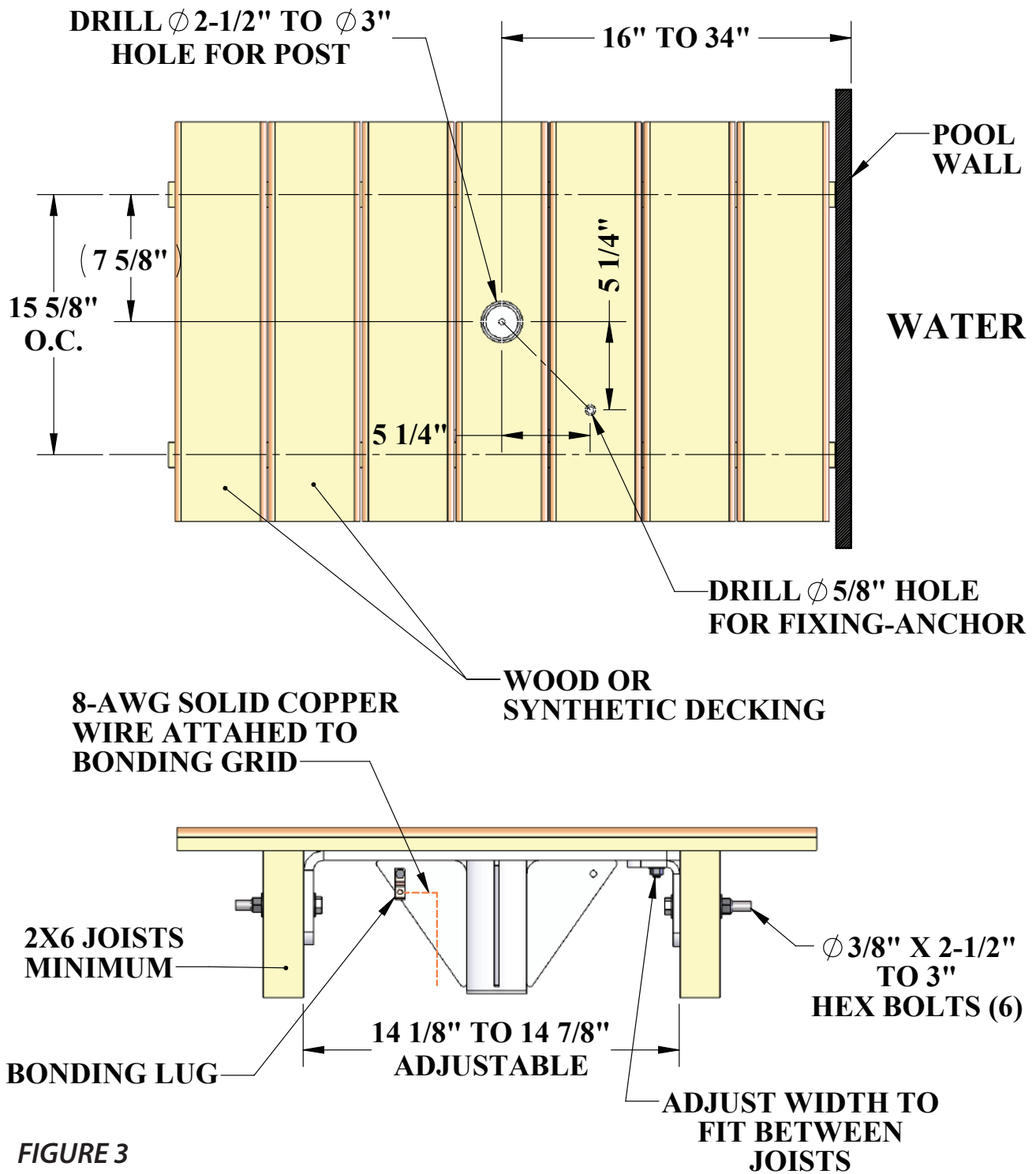


FIGURE 3

NOTE: Product should be installed and bonded according to all local codes. Check local codes for bonding and other requirements.

Installing Lift On Wood Deck Anchor

The Scout Lift is shipped via truck and will arrive mostly assembled and ready to install into the anchor.

1. Carefully unpack the lift and inspect for any damages or missing components.
2. With another person, lift the main lift assembly off the crate and place over the top of the wood deck aligning the post at the bottom of the mast with the socket of the anchor and set into place.
3. Turn the lift so the fixing anchor lines up with the fixing anchor hole. Secure using the 1/2" x 3" stainless steel bolt and washer supplied with your lift.
4. Before using the lift test it to make sure it rotates left and right and goes up and down smoothly. Make sure it doesn't wobble as it rotates. Then the lift is ready for use.

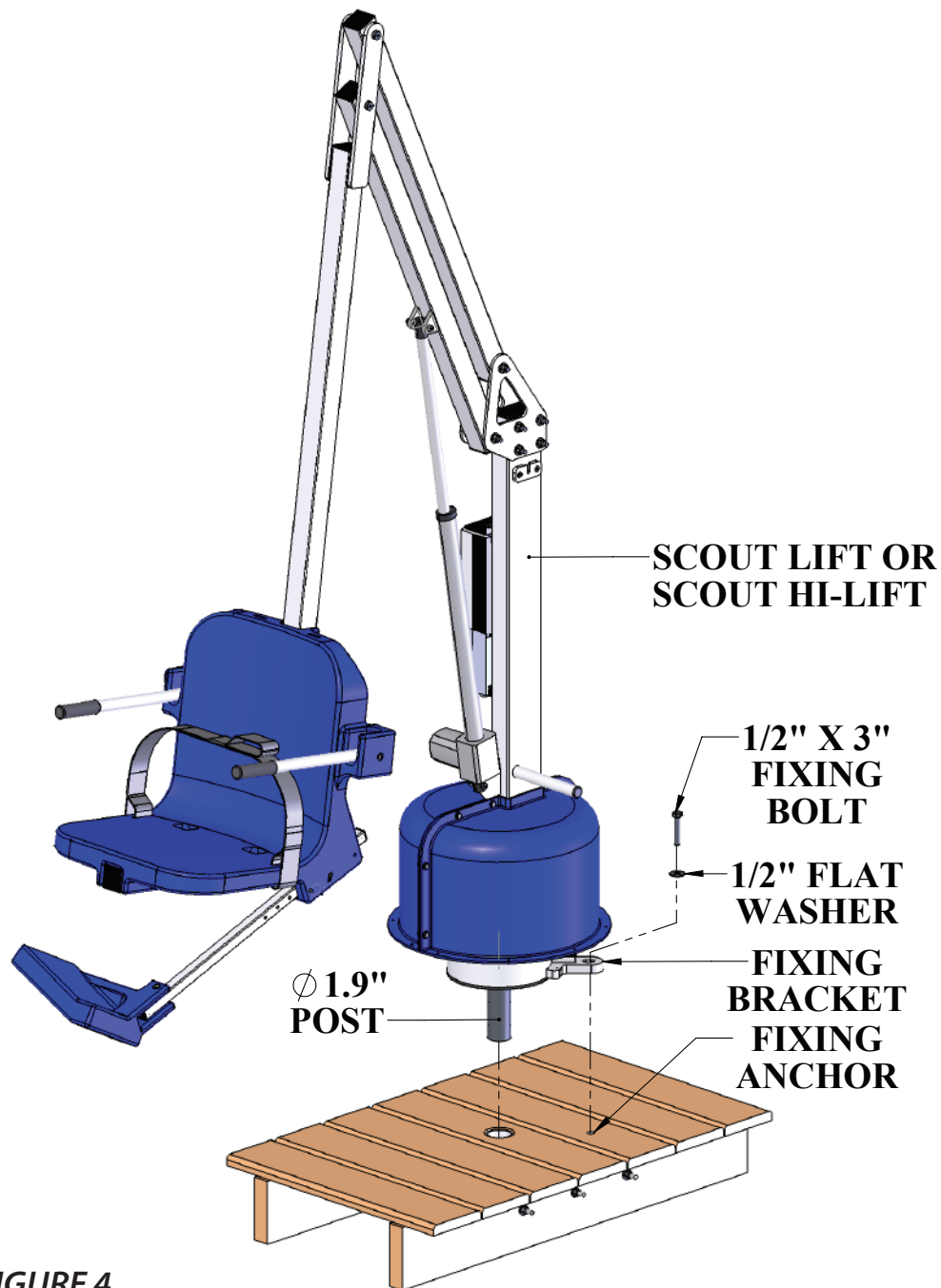


FIGURE 4