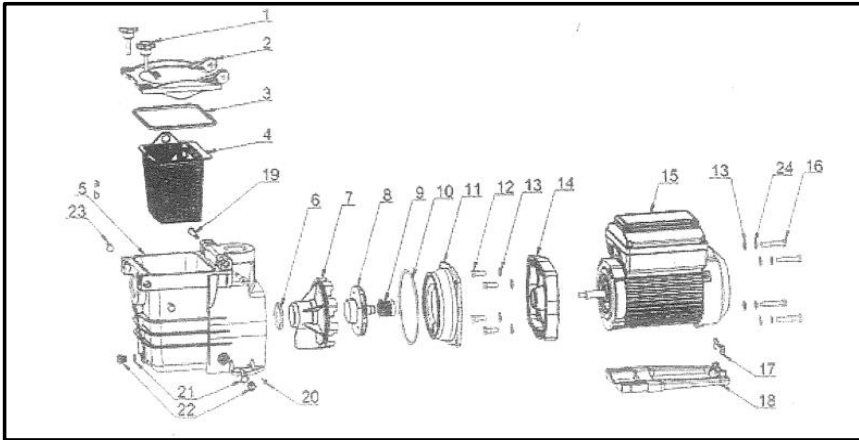


Doheny's In Ground Variable Speed Pumps - Item#s: 90500 & 90550
 Harris 15900 & 15901

Parts Listing



Reference Number	Description	Number Required	Part Number
1	Handle Screws	2	905001*
2	Cover	1	905002*
3	Gasket	1	905003*
4	Basket	1	905004*
5a	Pump Housing 1.5"	1	648915105080
5b	Pump Housing 2"	2	905005*
6	O-Ring	1	905006*
7	Diffuser	1	905007*
8a	Impeller for 15900/90500	1	905008*
8b	Impeller for 15901/90550		905009*
9	Seal Assembly	1	9050010*
10	O-ring	1	9050011*
11	Pump Cover	1	647258002
12	Screw 3/8-16UNC*25.4mm	4	65225007000
13	Gasket M10	8	65244015000
14	Over Cover	1	648910602
15a	VS 1.5 HP Motor for 15900/90500	1	65023333000
15b	VS 3 HP Motor for 15901/90550	1	65023337000
16	Screw 3/8	4	65225008000
17	Supporting Foot	1	648912301
18	Mounting Foot	1	648910608
19	Screw ST4.8*15	2	65212058000
20	Screw ST4.8*25	2	65212013000
21	Gasket	2	65432002080
22	Drain Plug	2	648860105
23	Reseller	2	648910607
24	Spring Washer	4	65244032000

Part Number Legend:

Bold* = Parts that are sold

Italics = Parts **NOT** sold but **MAY** be sent to customers w/ missing, defective or damaged parts upon arrival

Plain Font = Parts not sold or available (check warehouse to see if its available -if damaged, defective or missing)