

Doheny's

Pool Supplies **FAST!**

Deluxe Above Ground Solar Reel System

Item # 2827: Up to 18' Wide & 2828: 19'-24' Wide

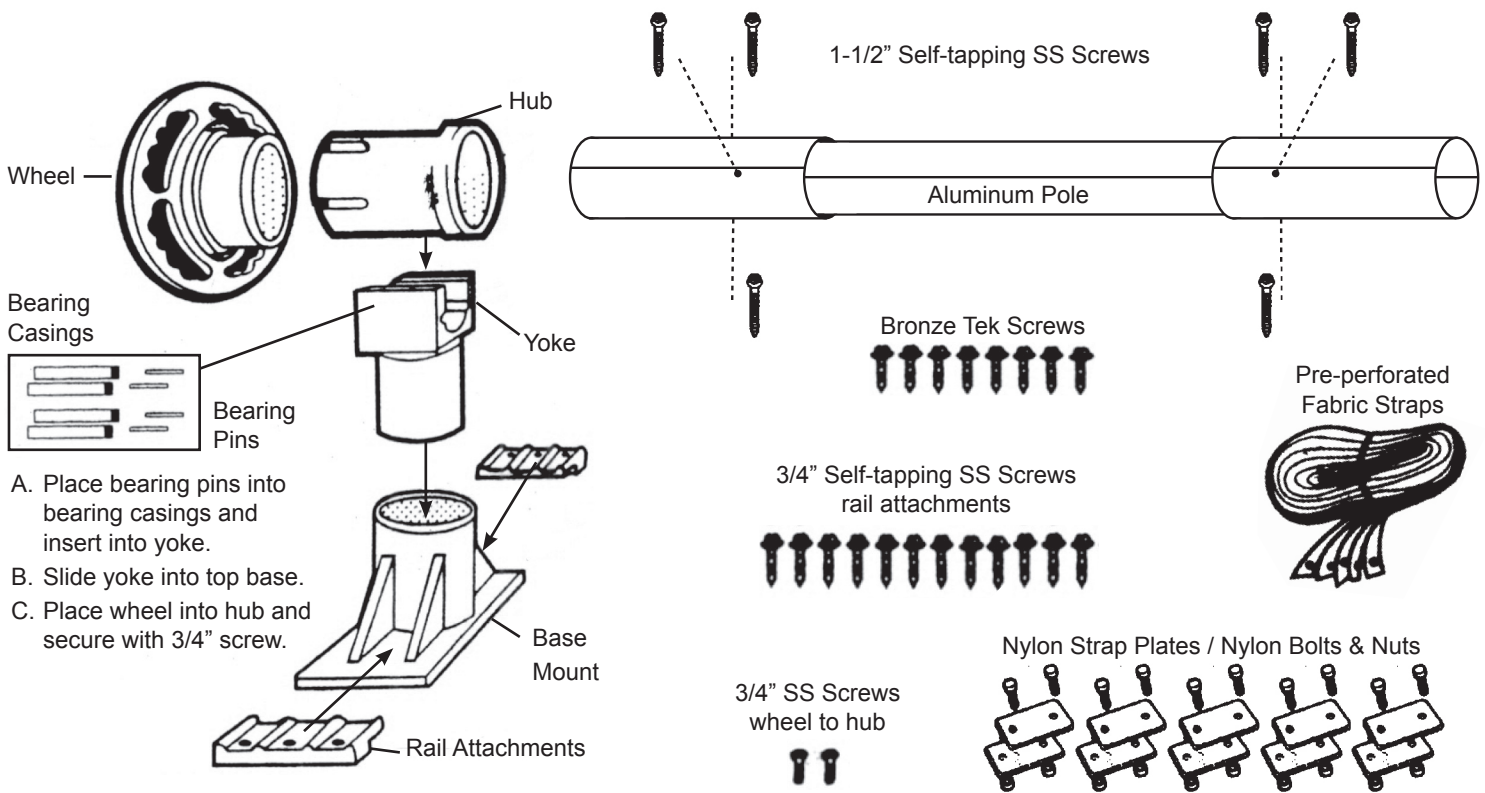
READ AND FOLLOW ALL INSTRUCTIONS

Please use Solar Cover and Reel System in the manner it was intended for.

- Solar Cover is not a safety cover.
- Remove Solar Cover and Solar Reel Assembly from swimming pool completely before swimming.
- Do not store Solar Cover on the ground in direct sunlight, as it will burn the lawn.

A Locate ALL Components

Check inventory of all items and assemble base mount as illustrated here.



Included Parts Listed

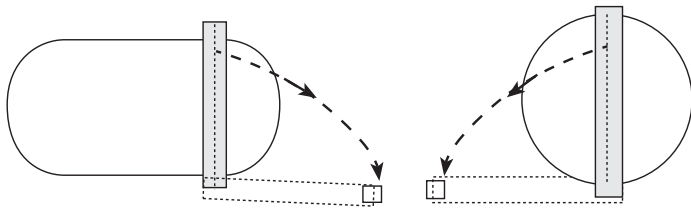
Tools Required: Power Drill, Metal Cutting Drill Bits,

Hex Socket Wrench with 7/16 in. Hex Socket, Phillips Screwdriver and Magic Marker

(2) Wheels	(2) Aluminum Pole	(8) Bronze Tek Screws
(4) Bearing Casings	(10) Nylon Strap Plates	(12) 3/4 in. Self-tapping SS Screws for Rail Attachments
(4) Bearing Pins	(10) Nylon Bolts & Nuts	(2) 3/4 in. SS Screws for Wheel to Hub
(2) Hubs	(5) Pre-perforated Fabric Straps	
(2) Yokes	(11) 1-1/2 in. Self-tapping SS Screws	
(2) Base Mounts	(6) Pole to Pole	
(4) Rail Attachments	(5) Strap to Pole	

B Reel System Placement

Note: Make certain there is a flat surface on the top rail and that there is no obstruction under top rail to prevent mounting the base mount. **Round Pool:** Install reel system crossing center of your pool. **Oval Pool:** Install reel system near the end of your pool before radius.

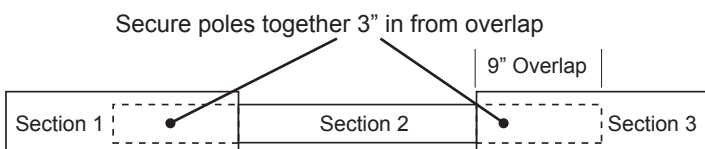


Oval Shaped Pool

Round Shaped Pool

C Determining Pole Length

- Pole Sections 1 and 3 should always equal and never exceed the following: Item #2827 = 5 ft 10 in. / Item #2828 = 7 ft 8 in.
- If your pool is less than 13 ft wide, cut Section 2 with a hacksaw to shorten.
 - Measure your pool's width from the inside edge of pool's top rails.
 - Place Section 2 inside Sections 1 and 3. Slide Sections 1 and 3 out to the desired total pole length. **Note: Total pole length is usually the pool width + 9 in.**
- Place reel and base mounts onto top rail. This verifies the tubing is wide enough.

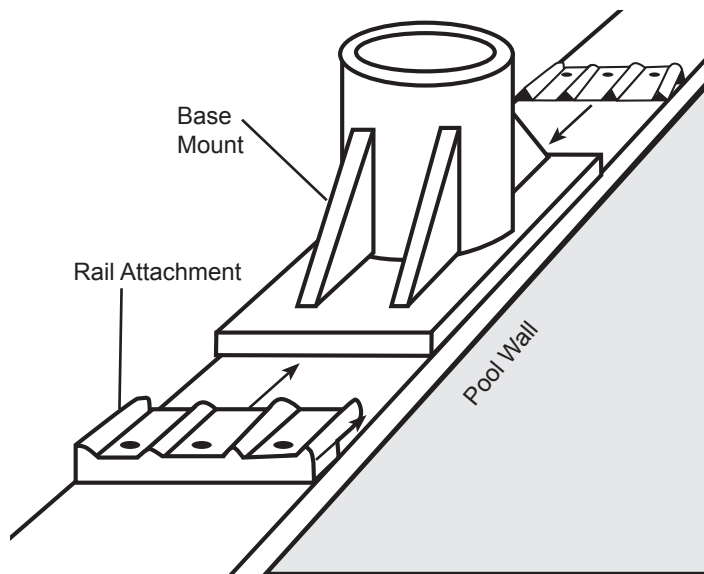


D Pole Assembly

- To fasten the poles, drill self-tapping screws in along the groove line 3 in. in from right end of Section 1 through Section 2 (see illustration above).
 - Rotate poles 120°, repeat step 1.
 - Rotate poles another 120°, repeat step 1 again.
 - To fasten Sections 2 and 3 together, follow pole assembly instructions 1 through 3.
- Note: You will use (6) total 1-1/2 in. self-tapping screws to secure pole set together.**

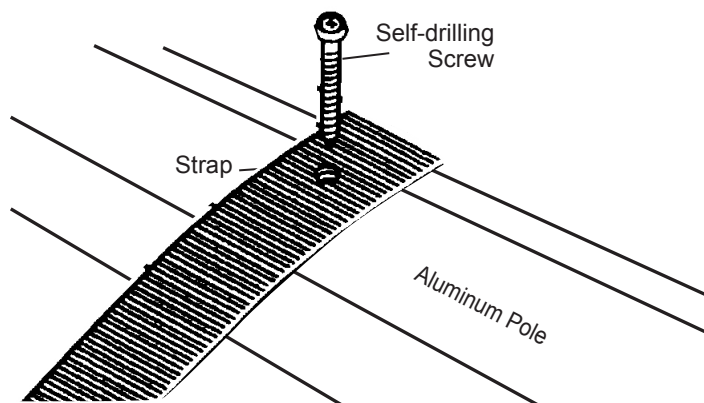
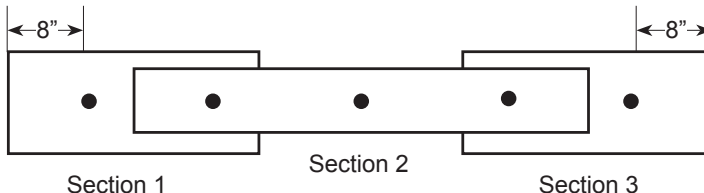
E Installing Base Mount onto Pool Railing

- Place each Base Mount onto top rail.
- Rail attachments should be mounted so that the Base Mount can slide in toward your pool. This will keep reel system more secure.
- Drill 3 screws per side into rail attachments. Attachments fit tightly over the Base Mount.



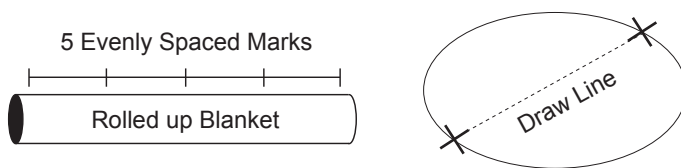
F Prepare and Drill Holes Equally Spaced

- Measure 8 in. in from the hubs towards the center of the poles on both sides of tubing. Mark poles with a marker.
- Mark 3 more equally spaced marks on the pole assembly in a straight line.
- Drill in one end of each (5) Pre-perforated Fabric Straps with 1-1/2 in. SS Screws, using markings as a guide. Use Strap end with one pre-perforated hole.



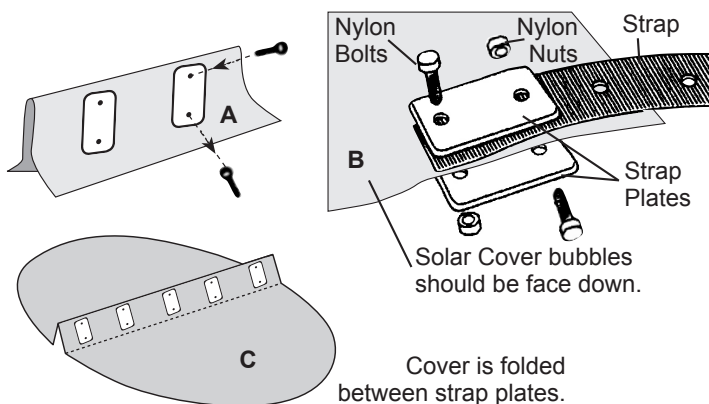
G Attach Solar Cover to Reel

1. Your Solar Cover should be in the pool and trimmed to the inside of your pool's top rail. Make a mark with marker at each edge of the cover directly below tube.
2. Remove cover from pool and lay flat on ground. Draw a straight line between the two marks on the cover.
3. Roll cover up until you reach your drawn line and measure in 8 in. from each side of cover and place a cross mark on the line.
4. Next, take the measurement used between the first pole marks and equally space the 3 remaining marks down the line to the second 8 in. measurement.



H Attach Nylon Plates & Fabric Straps to Solar Cover

1. Start with the first 8 in. mark from the folded edge of the cover.
2. Attach a Nylon Plate to the cover on the drawn line by pulling a double thickness of the cover into the Nylon Plate (shown in illustration A).
3. Take a second Nylon Plate and place directly underneath the first Nylon Plate. Use a sharp instrument (such as a Philips screwdriver) and punch holes through the first Nylon Plate, then the cover, ending with the second Nylon Plate. Make certain that the holes are clean of excess cover material.
4. Insert the Nylon Bolts through the Nylon Plate, then through an open hole of a corresponding Fabric Strap which is already attached to the Pole, then the cover, and finish with the other Nylon Plate. Secure with Nylon Nuts (see illustration B).
5. Continue attaching the remaining 4 sets of Nylon Plates and Straps to your Solar Cover at each mark shown in step G (above).
6. The last set of plates and last strap should be 8 in. from the opposite edge of the cover (see illustration C).

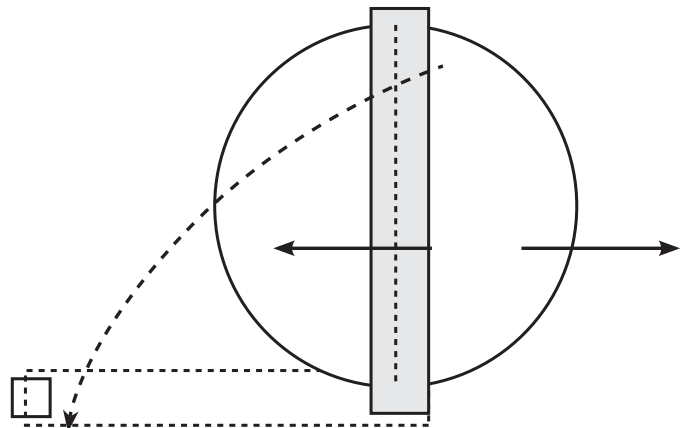


I Operating Instructions

1. After Reel System is assembled on your pool, slowly turn wheel clockwise; the cover will be lifted up and over the pole. Should either cover edge be hampered by the top rail, straighten it out so that the cover remains smooth and wrinkle-free during roll-up. Make certain the cover is removed from the pool uniformly onto pole (see diagram below).
2. When the cover is completely rolled up on the pole, lift the wheel, pole and yoke and rotate system to any desired location.
3. If desired, reel system may now be removed from top rail and stored.

J Return Reel System to Pool

1. Place Reel System back onto pool by sliding base units into rail attachments, then sliding pole with Solar Cover into base units.
2. Turn Wheel counter clockwise until cover makes contact with the pool.
3. Separate the two edges of the cover from each other.
4. Grip cover edge and walk slowly down the pool to the end.
5. Roll out 5-8 feet of cover at a time.
6. Now walk the cover down to the end of the pool.
7. Repeat procedure for second part of cover.



Helpful Hints

1. Remove Reel System at the end of each season.
2. Clean Wheels, Hubs, Yokes, Bearings, and Bases with warm soapy water.

Storage

1. Always store the Reel System in a safe place.

MANUFACTURER IS NOT RESPONSIBLE FOR ACCIDENTS OR DAMAGE RESULTING FROM UNSAFE STORAGE.